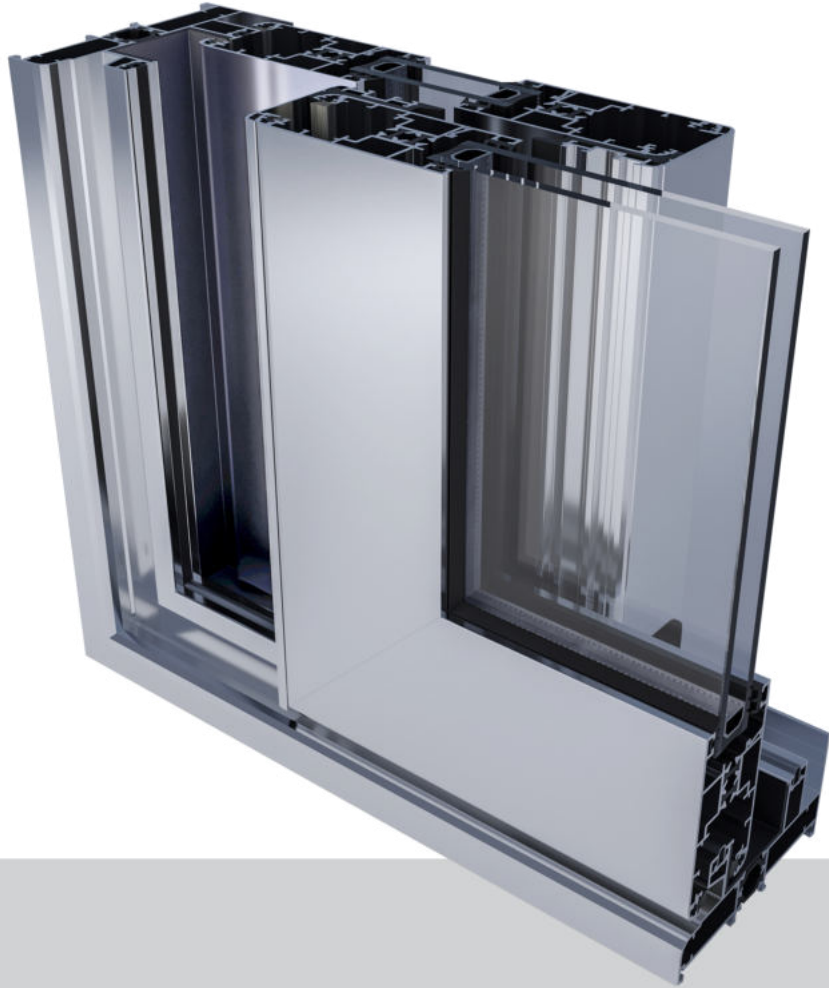
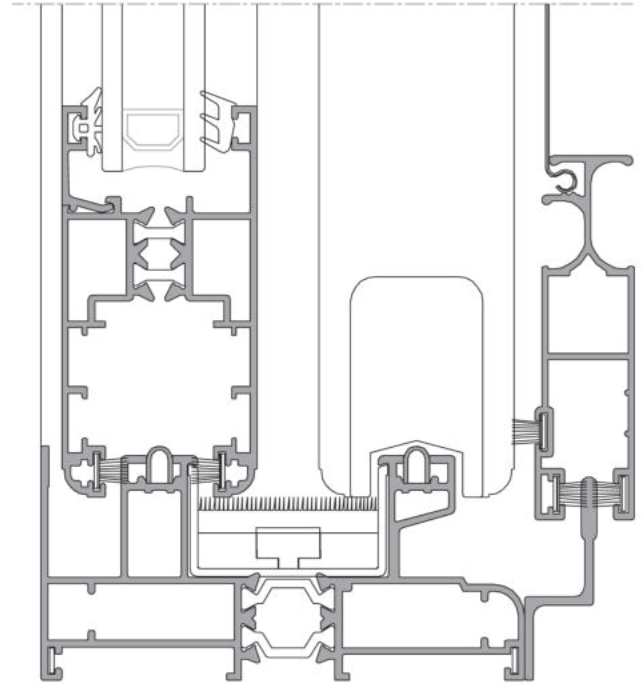
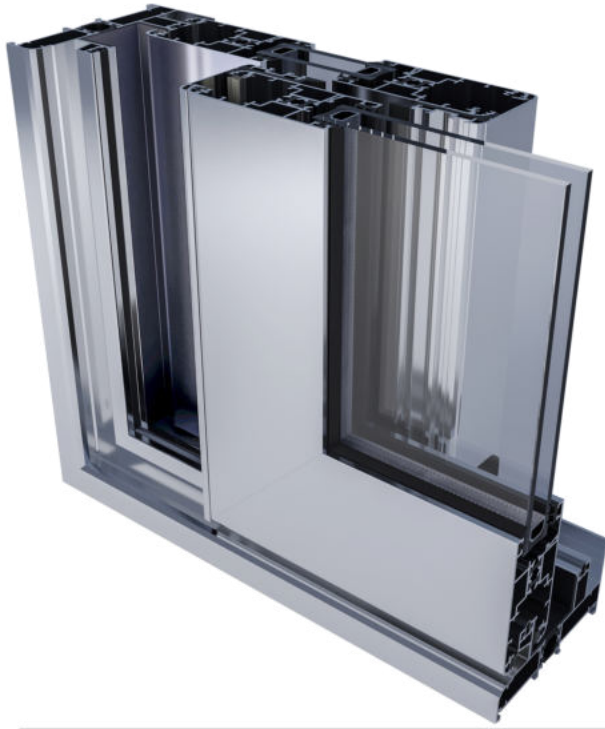




Sürme Sistem
Sliding System



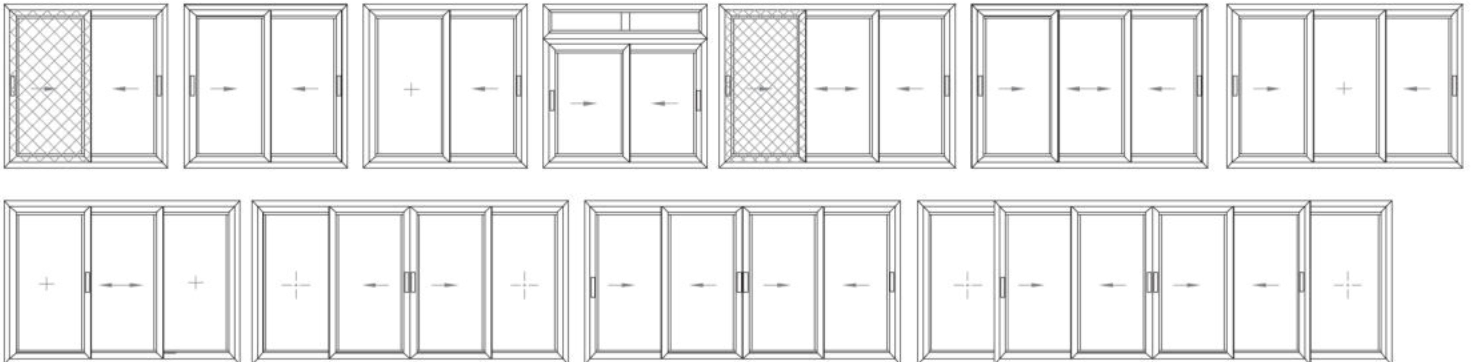
S38T

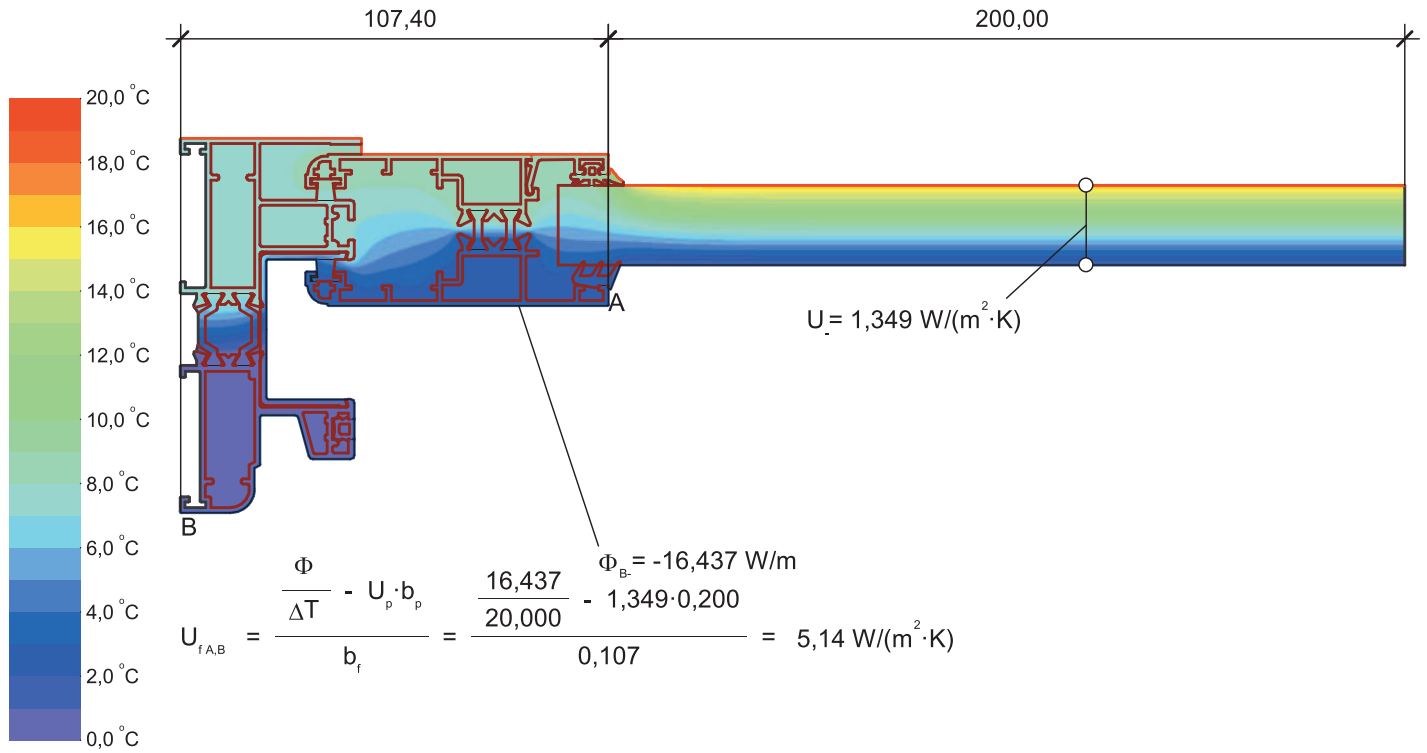


TEKNİK ÖZELLİKLER / TECHNICAL PROPERTIES

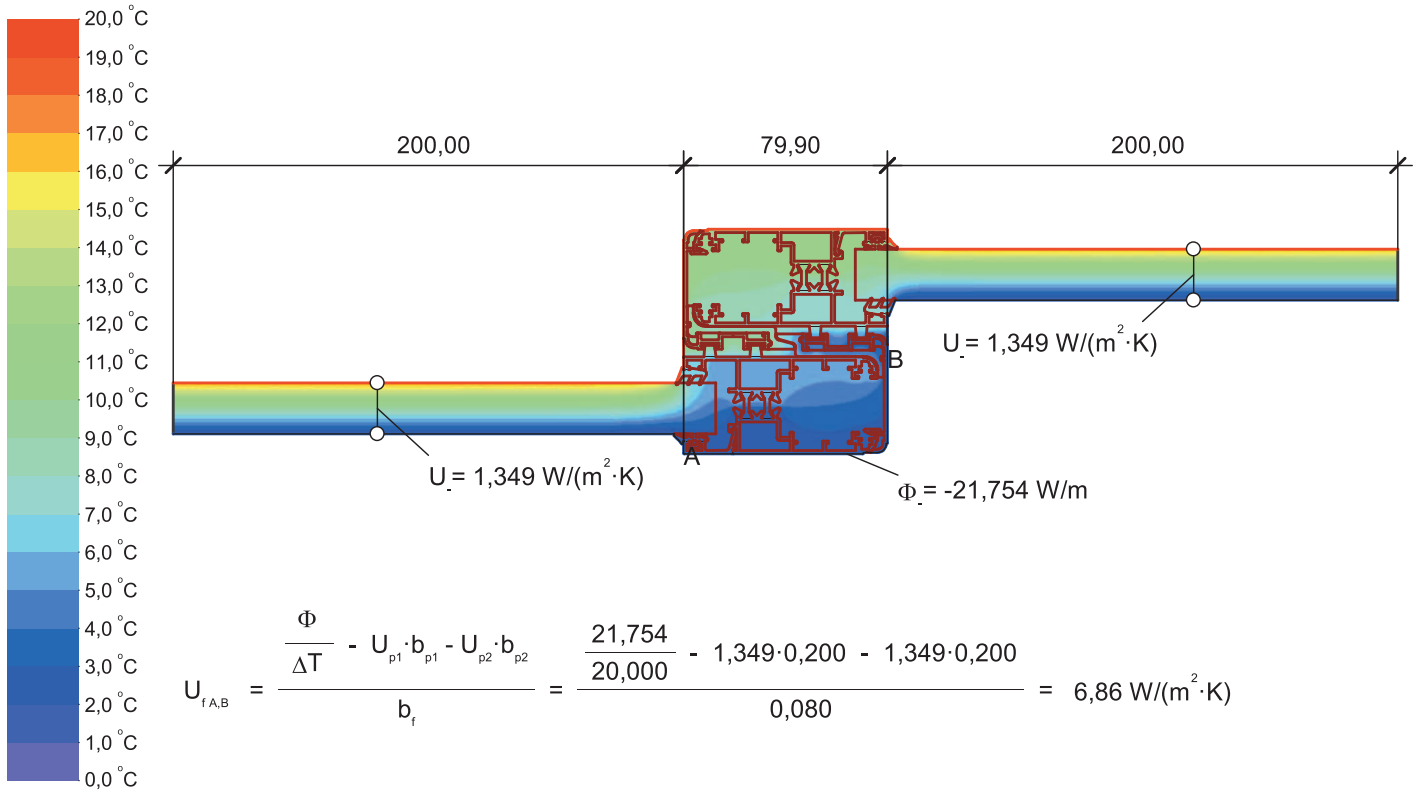
KASA DERİNLİĞİ / FRAME DEPTH	94 - 155,5 mm
KANAT DERİNLİĞİ / SASH DEPTH	38 mm
KENET DERİNLİĞİ / INTERLOCKING DEPTH	88 mm
PROFİL ET KALINLIĞI / PROFILE WALL THICKNESS	1,3 - 1,5 mm
ISI BARIYERİ / THERMAL BREAK	12 - 18 mm
MİN./MAKS. CAM KALINLIĞI / MIN./MAX. GLAZING THICKNESS	6 mm / 22 mm
MİN. KANAT ÖLÇÜLERİ / MIN. SASH DIMENSIONS	800 x 1900 mm
MAKS. KANAT ÖLÇÜLERİ / MAX. SASH DIMENSIONS	1600 x 2800 mm
MAKS. KANAT AĞIRLIĞI / MAX. SASH WEIGHT	160 kg
MİN. TERMAL ISI YALITIMI / MIN. THERMAL INSULATION	$U_f : 5,14 - 6,86 W / (m^2 \cdot K)$

UYGULAMA SEÇENEKLERİ / APPLICATION OPTIONS





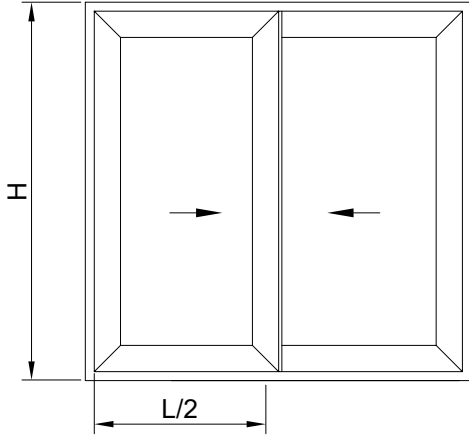
Material	λ [W/(m·K)]	ϵ	Boundary Condition	q [W/m ²]	θ_f [°C]	R [(m ² ·K)/W]	ϵ
Aluminium (Si Alloys)	160,000	0,900	Epsilon 0.9				0,900
EPDM (ethylene propylene diene monomer)	0,250	0,900	Exterior, frame	0,000	0,040		
PVC-U (polyvinylchloride), rigid	0,170	0,900	Interior, normal, horizontal	20,000	0,130		
Panel	0,035	0,900	Symmetry/Model section	0,000			
Polyamid 6.6 with 25% glass fibre	0,300	0,900					
Slightly ventilated air cavity	anisotropic						
Unventilated air cavity	anisotropic						



$$U_{f,A,B} = \frac{\frac{\Phi}{\Delta T} - U_{p1} \cdot b_{p1} - U_{p2} \cdot b_{p2}}{b_f} = \frac{\frac{21,754}{20,000} - 1,349 \cdot 0,200 - 1,349 \cdot 0,200}{0,080} = 6,86 \text{ W}/(\text{m}^2 \cdot \text{K})$$

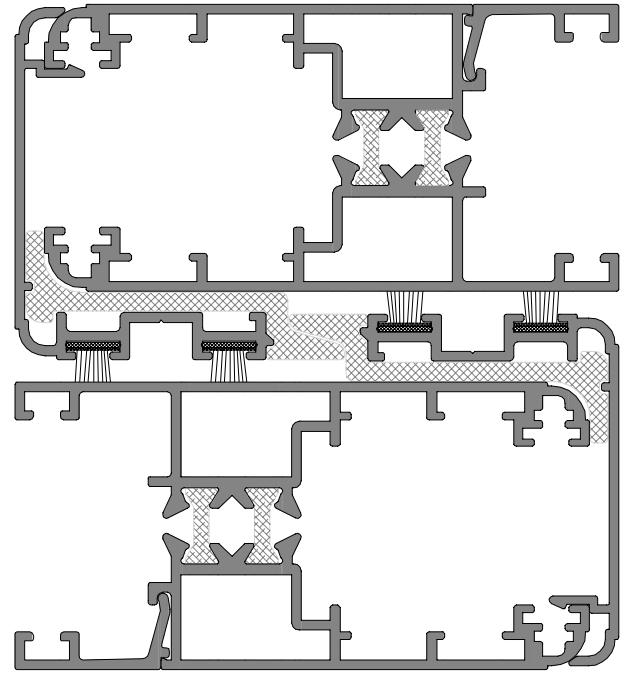
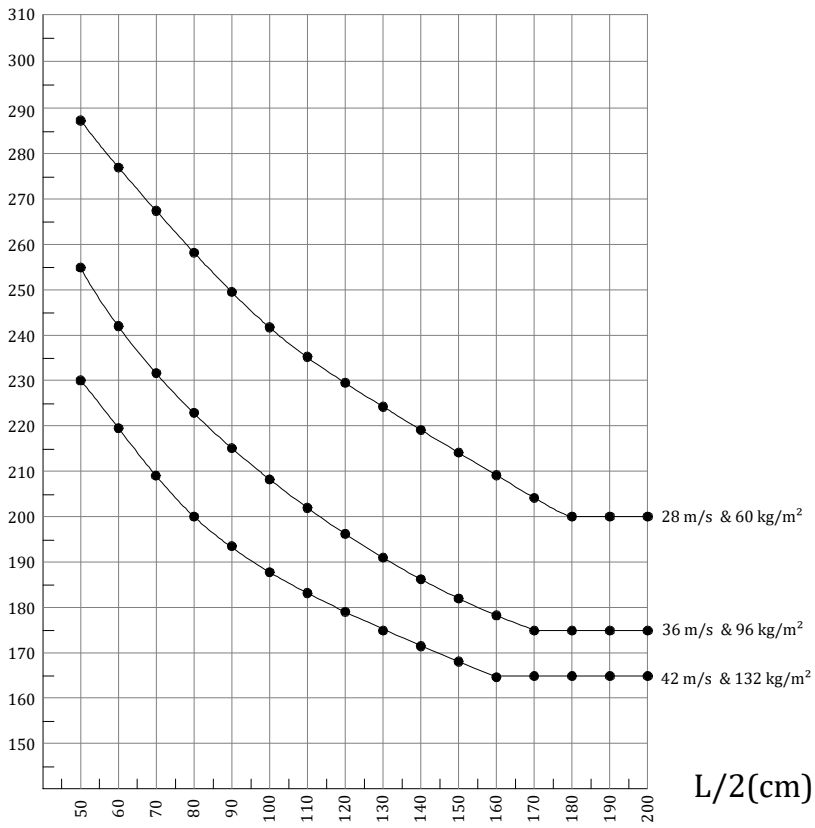
Material	λ [W/(m·K)]	ϵ	Boundary Condition	q [W/m ²]	θ [°C]	R [(m ² ·K)/W]	ϵ
Aluminium (Si Alloys)	160,000	0,900	Epsilon 0.9				0,900
EPDM (ethylene propylene diene monomer)	0,250	0,900	Exterior, frame	0,000	0,040		
PVC (polyvinylchloride), rigid	0,170	0,900	Interior, normal, horizontal	20,000	0,130		
Panel	0,035	0,900	Symmetry/Model section	0,000			
Polyamid 6.6 with 25% glass fibre	0,300	0,900					
Slightly ventilated air cavity	anisotropic						
Unventilated air cavity	anisotropic						

RÜZGAR YÜKÜNE GÖRE KULLANIM LİMİTLERİ GRAFIĞI



Max. Sehim : $L / 300$

H(cm)




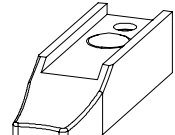
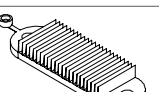
Jx : 24,88 cm⁴

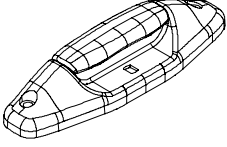
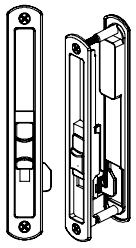
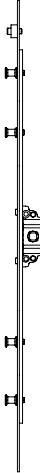
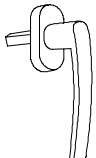
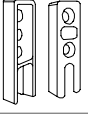
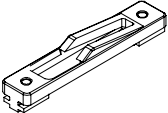
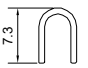
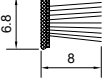
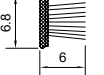
PROFİL KESİTİ PROFILE SECTION	PROFİL KODU PROFILE CODE	PROFİL ADI PROFILE NAME	Jx cm ⁴	Jy cm ⁴	AĞIRLIK (kg/m) WEIGHT
	2700-2701	İKİ RAYLI KASA PROFİLİ DOUBLE RAIL FRAME PROFILE	48,15 cm ⁴	9,79 cm ⁴	1,649 kg/mt
	3580-3581	İKİ RAYLI KASA PROFİLİ DOUBLE RAIL FRAME PROFILE	51,49 cm ⁴	10,75 cm ⁴	1,749 kg/mt
	2818-2701	İKİ RAYLI KASA PROFİLİ DOUBLE RAIL FRAME PROFILE	64,12 cm ⁴	17,24 cm ⁴	1,847 kg/mt
	3583-3581	İKİ RAYLI KASA PROFİLİ DOUBLE RAIL FRAME PROFILE	71,22 cm ⁴	25,40 cm ⁴	1,981 kg/mt
	5846-3581	İKİ RAYLI KASA PROFİLİ DOUBLE RAIL FRAME PROFILE	54,62 cm ⁴	10,31 cm ⁴	1,799 kg/mt
	5846-2701	İKİ RAYLI KASA PROFİLİ DOUBLE RAIL FRAME PROFILE	64,12 cm ⁴	17,24 cm ⁴	1,948 kg/mt
	5847-3581	İKİ RAYLI SİNEKLİKLİ KASA PROFİLİ DOUBLE RAIL SCREENING FRAME PROFILE	71,91 cm ⁴	28,93 cm ⁴	2,026 kg/mt
	5847-3582	İKİ RAYLI SİNEKLİKLİ KASA PROFİLİ DOUBLE RAIL SCREENING FRAME PROFILE	95,04 cm ⁴	26,95 cm ⁴	2,185 kg/mt
	5846-3582	İKİ RAYLI SİNEKLİKLİ KASA PROFİLİ DOUBLE RAIL SCREENING FRAME PROFILE	71,10 cm ⁴	11,19 cm ⁴	1,952 kg/mt
	2700-3025	İKİ RAYLI SİNEKLİKLİ KASA PROFİLİ DOUBLE RAIL SCREENING FRAME PROFILE	64,30 cm ⁴	10,92 cm ⁴	1,812 kg/mt
	3580-3582	İKİ RAYLI SİNEKLİKLİ KASA PROFİLİ DOUBLE RAIL SCREENING FRAME PROFILE	67,43 cm ⁴	11,77 cm ⁴	1,902 kg/mt
	3592-3582	İKİ RAYLI SİNEKLİKLİ KASA PROFİLİ DOUBLE RAIL SCREENING FRAME PROFILE	98,67 cm ⁴	13,70 cm ⁴	2,128 kg/mt
	2818-3025	İKİ RAYLI SİNEKLİKLİ KASA PROFİLİ DOUBLE RAIL SCREENING FRAME PROFILE	83,48 cm ⁴	18,79 cm ⁴	2,016 kg/mt
	3583-3582	İKİ RAYLI SİNEKLİKLİ KASA PROFİLİ DOUBLE RAIL SCREENING FRAME PROFILE	90,73 cm ⁴	27,05 cm ⁴	2,134 kg/mt
	2700-2704-2701	ÜÇ RAYLI KASA PROFİLİ TRIPLE RAIL FRAME PROFILE	159,69 cm ⁴	13,26 cm ⁴	2,523 kg/mt
	3580-3584-3581	ÜÇ RAYLI KASA PROFİLİ TRIPLE RAIL FRAME PROFILE	272,32 cm ⁴	15,76 cm ⁴	2,662 kg/mt
	2818-2704-2701	ÜÇ RAYLI KASA PROFİLİ TRIPLE RAIL FRAME PROFILE	210,04 cm ⁴	22,02 cm ⁴	2,721 kg/mt
	3583-3584-3581	ÜÇ RAYLI KASA PROFİLİ TRIPLE RAIL FRAME PROFILE	228,73 cm ⁴	30,78 cm ⁴	2,662 kg/mt
	5846-3584-3581	ÜÇ RAYLI KASA PROFİLİ TRIPLE RAIL FRAME PROFILE	178,12 cm ⁴	14,86 cm ⁴	2,713 kg/mt
	2700-2704-3025	ÜÇ RAYLI SİNEKLİKLİ KASA PROFİLİ TRIPLE RAIL SCREENING FRAME PROFILE	207,36 cm ⁴	15,76 cm ⁴	2,700 kg/mt
	3580-3584-3582	ÜÇ RAYLI SİNEKLİKLİ KASA PROFİLİ TRIPLE RAIL SCREENING FRAME PROFILE	217,09 cm ⁴	17,08 cm ⁴	2,815 kg/mt
	2818-2704-3025	ÜÇ RAYLI SİNEKLİKLİ KASA PROFİLİ TRIPLE RAIL SCREENING FRAME PROFILE	249,90 cm ⁴	23,51 cm ⁴	2,898 kg/mt

** Her profil için minimum sipariş 300 kg'dır.
 ** Minimum order quantity is 300 kg per profile.

PROFİL KESİTİ PROFILE SECTION	PROFİL KODU PROFILE CODE	PROFİL ADI PROFILE NAME	Jx cm ⁴	Jy cm ⁴	AĞIRLIK (kg/m) WEIGHT
	3583-3584-3582	ÜÇ RAYLI SİNEKLİKLİ KASA PROFİLİ TRIPLE RAIL SCREENING FRAME PROFILE	268,33 cm ⁴	32,31 cm ⁴	3,047 kg/mt
	2705-2705	SABİT KASA PROFİLİ FIXED FRAME PROFILE	-	-	1,485 kg/mt
	1932-1933	SABİT KASA PROFİLİ FIXED FRAME PROFILE	-	-	1,478 kg/mt
	3588-3589	ORTA KAYIT PROFİLİ MULLION PROFILE	-	-	0,942 kg/mt
	2798-2798	KANAT İÇİ ORTA KAYIT PROFİLİ SASH INTERNAL MULLION PROFILE	-	-	1,021 kg/mt
	3588-3588	KANAT İÇİ ORTA KAYIT PROFİLİ SASH INTERNAL MULLION PROFILE	-	-	1,134 kg/mt
	3585-3586	KANAT PROFİLİ SASH PROFILE	-	-	1,289 kg/mt
	1243	SİNEKLİK PROFİLİ SCREENING PROFILE	-	-	0,434 kg/mt
	12339	SİNEKLİK PROFİLİ SCREENING PROFILE	-	-	0,703 kg/mt
	3591	ADAPTÖR PROFİLİ ADAPTER PROFILE	-	-	0,112 kg/mt
	2819	ADAPTÖR PROFİLİ ADAPTER PROFILE	-	-	0,093 kg/mt
	3590-3590	ADAPTÖR PROFİLİ ADAPTER PROFILE	-	-	0,454 kg/mt
	3594	TAKVİYE PROFİLİ REINFORCE PROFILE	-	-	0,456 kg/m
	3595	TAKVİYE KAPAK PROFİLİ REINFORCE COVER PROFILE	-	-	0,101 kg/m
	2703	KENET PROFİLİ INTERLOCK PROFILE	-	-	0,403 kg/mt
	2707	SİNEKLİK RAY PROFİLİ SCREENING RAIL PROFILE	-	-	0,190 kg/mt
	3587	ÇITA PROFİLİ BEAD PROFILE	-	-	0,140 kg/mt
	3598	ÇITA PROFİLİ BEAD PROFILE	-	-	0,263 kg/mt
	1684	ÇITA PROFİLİ BEAD PROFILE	-	-	0,325 kg/mt
	6877	RAY PROFİLİ RAIL PROFILE	-	-	0,0061 kg/mt
	598	KÖŞE TAKOZ PROFİLİ CORNER WEDGE PROFILE	-	-	1,677 kg/mt
	1662	KÖŞE TAKOZ PROFİLİ CORNER WEDGE PROFILE	-	-	2,576 kg/mt

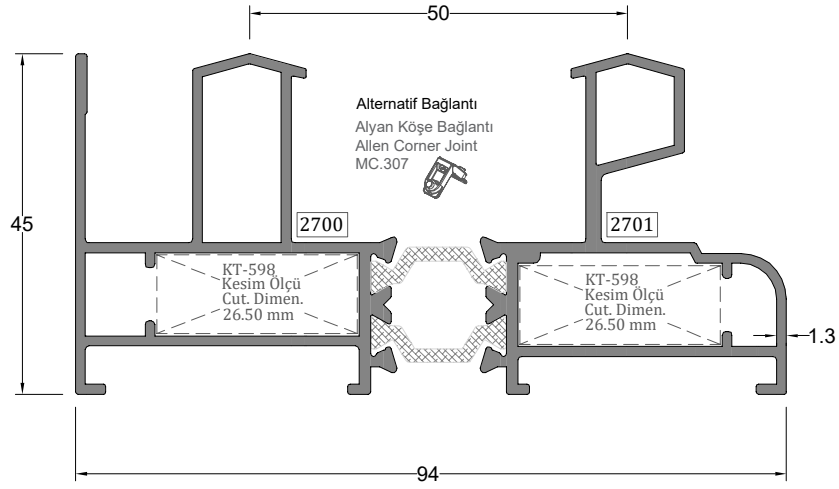
** Her profil için minimum sipariş 300 kg'dır.
 ** Minimum order quantity is 300 kg per profile.

AKSESUAR ACCESSORY	STOK KODU REFERENCE CODE	AKSESUAR ADI DESCRIPTION	AKSESUAR KODU PRODUCT CODE	PAKET PACK
	AKS1297	RAY KAPAK FİTİLİ RAIL COVER GASKET	S38T - KRF.05	330 mt / paket 10 kg
	AKS1338	İÇ CAM FİTİLİ INNER GLAZING GASKET	S38T - İCF.30	280 mt / paket 10 kg
	AKS1339	İÇ CAM FİTİLİ INNER GLAZING GASKET	S38T - İCF.40	220 mt / paket 10 kg
	AKS1341	İÇ CAM FİTİLİ INNER GLAZING GASKET	S38T - İCF.50	185 mt / paket 10 kg
	AKS1275	KASA FİTİLİ FRAME GASKET	S38T - KBF.36	300 mt / paket 10 kg
	AKS1285	KASA FİTİLİ FRAME GASKET	S38T - KBF.46	275 mt / paket 10 kg
	AKS1287	KANAT FİTİLİ SASH GASKET	S38T-KBF.56	330 mt / paket 10 kg/mt
	AKS1254	DIŞ CAM FİTİLİ OUTER GLAZING GASKET	S38T - DCF.30	195 mt / paket 10 kg
	AKS1330	ORTA BİNİ FİTİLİ MIDDLE GASKET	S38T- OBF.55	54 mt / paket 10 kg
	AKS467	KENET YALITIM PLASTİĞİ INTERLOCKING INSULATION PART	S38T- KYP.51	1 boy / 6 m
	AKS466	KASA OLUK PLASTİĞİ FRAME GUTTER PART	S38T-KP.50	1 boy / 6 m
	AKS464	İSPANYOLET ADAPTÖRÜ ESPAGNOLET ADAPTER	S38T - İA.027	100 ad / paket
	AKS459	STOPER STOPPER	S38T - SP.021	100 ad / paket
	AKS460	KENET KAPAĞI INTERLOCKING CORNER CAP	S38T - KP.022	100 ad / paket
	AKS916	SPACER SPACER	S38T-SPC.408	100 ad / paket
	AKS462	ALT HAVA KESİCİ BOTTOM AIR BLOCKER	S38T - AHK.024	100 ad / paket
	AKS465	ÜST HAVA KESİCİ TOP AIR BLOCKER	S38T - ÜHK.030	1 ad / paket

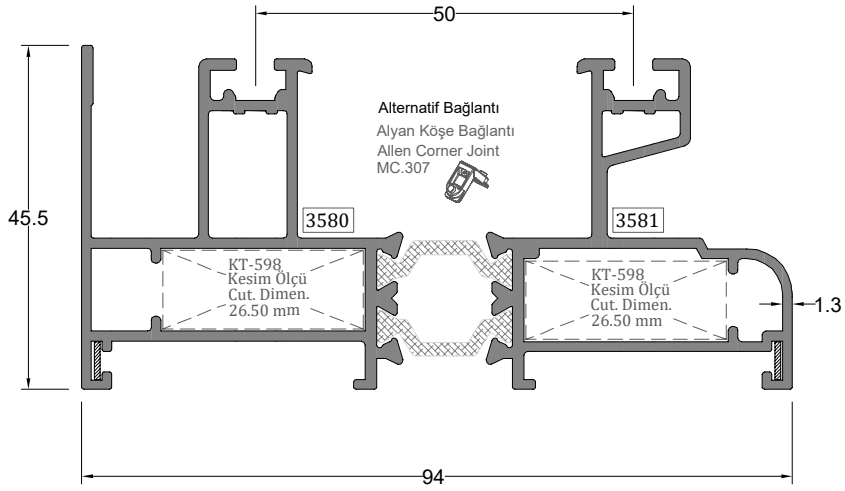
AKSESUAR ACCESSORY	STOK KODU REFERENCE CODE	AKSESUAR ADI DESCRIPTION	AKSESUAR KODU PRODUCT CODE	PAKET PACK
	AKS4502	SÜRME PARİZYEN KOL SLIDING HANDLE (PARISIANA)	S38T - PK.12	1 ad / paket
	AKS1697	SÜRME KİLİT SLIDING LOCK	S38T - SK.903	1 ad / paket
	AKS1701	ANAHTARLI SÜRME KİLİT SLIDING LOCK	S38T - SK.907	1 ad / paket
	AKS1783	İSPANYOLET (40 cm) ESPAGNOLETTE (40 cm)	S38T-İSP.270	1 ad / paket
	AKS1784	İSPANYOLET (60 cm) ESPAGNOLETTE (60 cm)	S38T-İSP.271	1 ad / paket
	AKS1785	İSPANYOLET (80 cm) ESPAGNOLETTE (80 cm)	S38T-İSP.272	1 ad / paket
	AKS1786	İSPANYOLET (100 cm) ESPAGNOLETTE (100 cm)	S38T-İSP.273	1 ad / paket
	AKS1787	İSPANYOLET (120 cm) ESPAGNOLETTE (120 cm)	S38T-İSP.274	1 ad / paket
	AKS1788	İSPANYOLET (140 cm) ESPAGNOLETTE (140 cm)	S38T-İSP.275	1 ad / paket
	AKS1789	İSPANYOLET (160 cm) ESPAGNOLETTE (160 cm)	S38T-İSP.276	1 ad / paket
	AKS1790	İSPANYOLET (180 cm) ESPAGNOLETTE (180 cm)	S38T-İSP.277	1 ad / paket
	AKS1791	İSPANYOLET (200 cm) ESPAGNOLETTE (200 cm)	S38T-İSP.278	1 ad / paket
	AKS4476	ROTO SECUSTİK PENCERE KOLU ROTO WINDOW HANDLE	S38T-RK.291	1 Pk / 20 Ad
	AKS1942	SÜRME İSPANYOLET KARŞILIK (ZAMAK) SLIDING ESPAGNOLETTE STRIKER (ZAMAK)	S38T-KK.520	1 koli / 500ad
	AKS923	İSPANYOLET KARŞILIK ESPAGNOLETTE STRIKER	S38T-İK.440	25 ad / paket
	AKS1562	S38T PASLANMEZ ÇELİK RAY S38T STAINLESS STEEL RAIL 7,3 mm	S38T - PÇR.230	1 boy / 6 m
	AKS1539	FIRÇA FİTİL WEATHER STRIP	S38T - FÇ.711	250 mt / paket
	AKS1536	FIRÇA FİTİL WEATHER STRIP	S38T - FÇ.708	350 mt / paket

AKSESUAR ACCESSORY	STOK KODU REFERENCE CODE	AKSESUAR ADI DESCRIPTION	AKSESUAR KODU PRODUCT CODE	PAKET PACK
	AKS370	FORZA YAYLI HAVUZ KOL (SİYAH) FORZA RECESSED HANDLE AUTOMATIC (BLACK)	S38T-FHK.750	1 pk / 40ad
	AKS371	FORZA YAYLI HAVUZ KOL (BEYAZ) FORZA RECESSED HANDLE AUTOMATIC (WHITE)	S38T-FHK.751	1 pk / 40ad
	AKS372	FORZA YAYLI HAVUZ KOL (NATUREL) FORZA RECESSED HANDLE AUTOMATIC (NATURAL)	S38T-FHK.752	1 pk / 40ad
	AKS373	FORZA YAYLI HAVUZ KOL (ANTRASİT) FORZA RECESSED HANDLE AUTOMATIC (ANTHRACITE)	S38T-FHK.753	1 pk / 40ad
	AKS374	FORZA MANUEL HAVUZ KOL (SİYAH) FORZA RECESSED HANDLE MANUEL (BLACK)	S38T-FHK.760	1 pk / 40ad
	AKS375	FORZA MANUEL HAVUZ KOL (BEYAZ) FORZA RECESSED HANDLE MANUEL (WHITE)	S38T-FHK.761	1 pk / 40ad
	AKS376	FORZA MANUEL HAVUZ KOL (NATUREL) FORZA RECESSED HANDLE MANUEL (NATURAL)	S38T-FHK.762	1 pk / 40ad
	AKS377	FORZA MANUEL HAVUZ KOL (ANTRASİT) FORZA RECESSED HANDLE MANUEL (ANTHRACITE)	S38T-FHK.763	1 pk / 40ad
	AKS378	FORZA ANAHTARLI HAVUZ KOL (SİYAH) FORZA RECESSED HANDLE LOCK WITH KEY (BLACK)	S38T-FHK.770	1 pk / 40ad
	AKS379	FORZA ANAHTARLI HAVUZ KOL (BEYAZ) FORZA RECESSED HANDLE LOCK WITH KEY (WHITE)	S38T-FHK.771	1 pk / 40ad
	AKS380	FORZA ANAHTARLI HAVUZ KOL (NATUREL) FORZA RECESSED HANDLE LOCK WITH KEY (NATURAL)	S38T-FHK.772	1 pk / 40ad
	AKS381	FORZA ANAHTARLI HAVUZ KOL (ANTRASİT) FORZA RECESSED HANDLE LOCK WITH KEY (ANTHRACITE)	S38T-FHK.773	1 pk / 40ad
	AKS386	FORZA PASİF HAVUZ KOL (SİYAH) FORZA RECESSED FINGER PULL HANDLE (BLACK)	S38T-FHK.790	1 pk / 40 ad
	AKS387	FORZA PASİF HAVUZ KOL (BEYAZ) FORZA RECESSED FINGER PULL HANDLE (WHITE)	S38T-FHK.791	1 pk / 40 ad
	AKS388	FORZA PASİF HAVUZ KOL (NATUREL) FORZA RECESSED FINGER PULL HANDLE (NATURAL)	S38T-FHK.792	1 pk / 40 ad
	AKS389	FORZA PASİF HAVUZ KOL (ANTRASİT) FORZA RECESSED FINGER PULL HANDLE (NATURAL)	S38T-FHK.753	1 pk / 40 ad
	AKS383	FORZA KİLİT DİLİ (ZAMAK) FORZA HOOK (ZAMAK) Forza yaylı ve manuel havuz kol ile kullanılmaktadır.	S38T-FKD.781	1 pk / 40 ad
	AKS382	FORZA KİLİT DİLİ (ZAMAK) FORZA HOOK (ZAMAK)	S38T-FKD.780	1 pk / 40 ad
	AKS384	FORZA KİLİT KARŞILIĞI (ZAMAK) FORZA STRIKER (ZAMAK)	S38T-FKK.782	1 pk / 40 ad

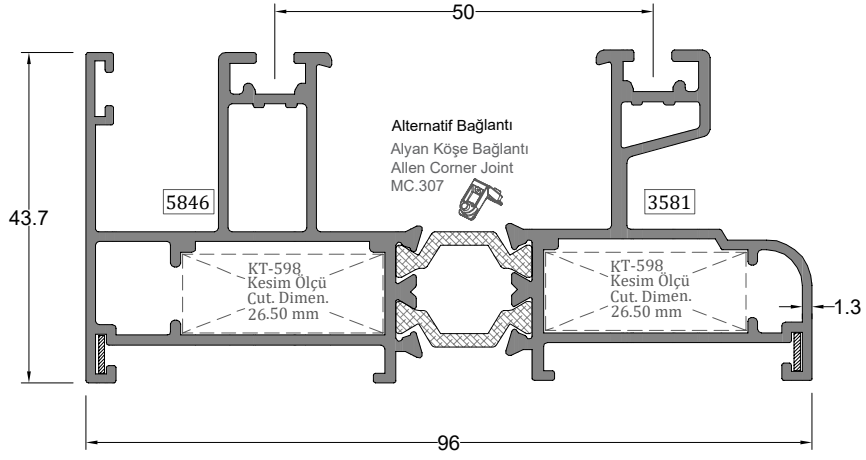
AKSESUAR ACCESSORY	STOK KODU REFERENCE CODE	AKSESUAR ADI DESCRIPTION	AKSESUAR KODU PRODUCT CODE		PAKET PACK
	AKS694	ALÜMİNYUM ÇİFTLİ RULMAN ALUMINIUM ROLLER(DOUBLE-150 KG)	S38T - ÇR.140	80 KG	1 ad / paket
	AKS458	ÇİFTLİ RULMAN ROLLER(DOUBLE-100 KG)	S38T - ÇR.020		1 ad / paket
	AKS789	KÖŞE GÖNYE CORNER BRACKET	S38T - KG.318		1000 ad / paket
	AKS780	ALYAN KÖŞE BAĞLANTI ALLEN CORNER JOINT	S38T-MC.307		250 ad / paket
	AKS5299	ELEKTRONİK SWITCH ELEKTRONIC SWITCH	S38T-ES.99		1 ad / paket
	AKS1912	CAM TAKOZU (3X20X80 mm) GLAZING WEDGE 3mm	S38T - CT.203		1000 ad / paket
	AKS4474	SİNEKLİK HAVUZ KOL SCREENING ROLLER	S38T - SHK.018		100 ad / paket
	AKS4475	SİNEKLİK KÖŞE TAKOZ SCREENING CORNER WEDGE	S38T - ST.070		100 ad / paket
	AKS1634	SİNEKLİK RULMAN SCREENING ROLLER	S38T - SR.60		100 ad / paket
	AKS1607	SİNEKLİK KÖŞE BAĞLANTI SCREENING CORNER CONNECTION	S38T-SC.150		4 ad / paket
	AKS1608	SİNEKLİK RULMAN SCREENING ROLLER	S38T-PR.140		500 ad / paket
	AKS1596	SİNEKLİK TÜLÜ SCREENING NET	S38T - STF.80		24 m ² / paket
	AKS1597		S38T - STF.100		30 m ² / paket
	AKS1598		S38T - STF.120		36 m ² / paket
	AKS1599		S38T - STF.140		44 m ² / paket
	AKS1600		S38T - STF.160		48 m ² / paket
	AKS8039	SİNEKLİK FİTİLİ 8 mm SCREENING GASKET 8 mm	S38T-SF.80		227 mt / paket 10 kg
	AKS1425	SİNEKLİK FİTİLİ SCREENING GASKET	S38T-SF.114		100 mt / paket
	AKS1426		S38T-SF.115		
	AKS1427		S38T-SF.116		



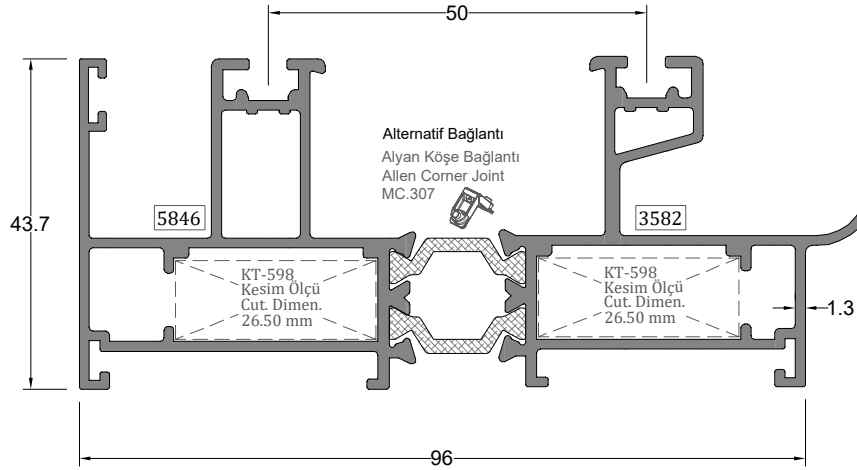
İki Raylı Kasa Profili DOUBLE RAIL FRAME PROFILE	Profil Kodu Profile Code	(kg/mt) Weight	Jx cm ⁴	Jy cm ⁴
		2700-2701	1,649	48,15



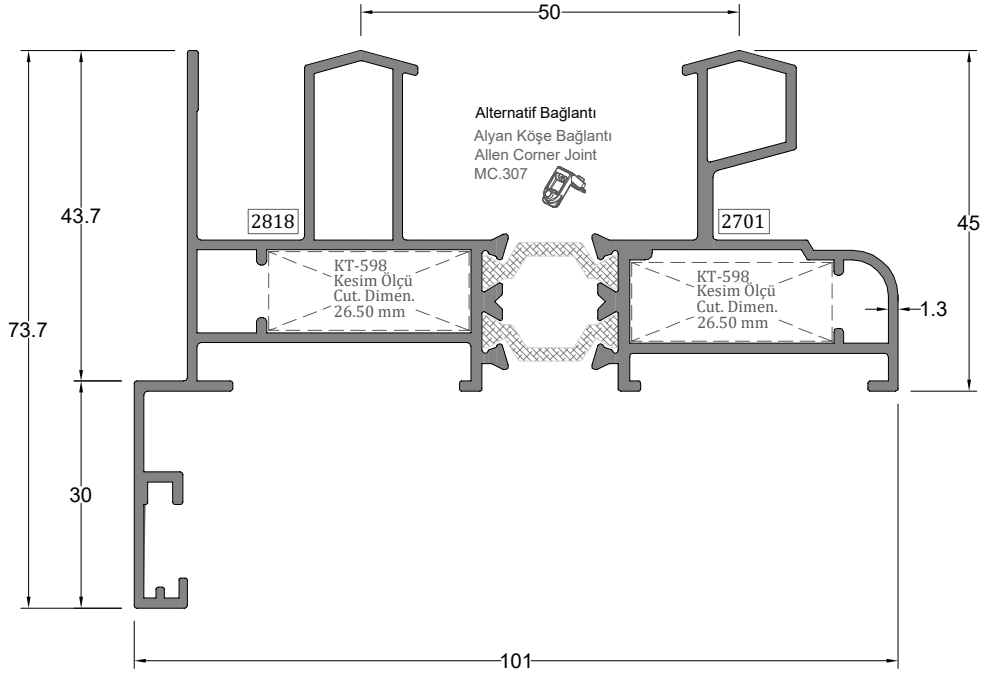
İki Raylı Kasa Profili DOUBLE RAIL FRAME PROFILE	Profil Kodu Profile Code	(kg/mt) Weight	Jx cm ⁴	Jy cm ⁴
		3580-3581	1,749	51,49



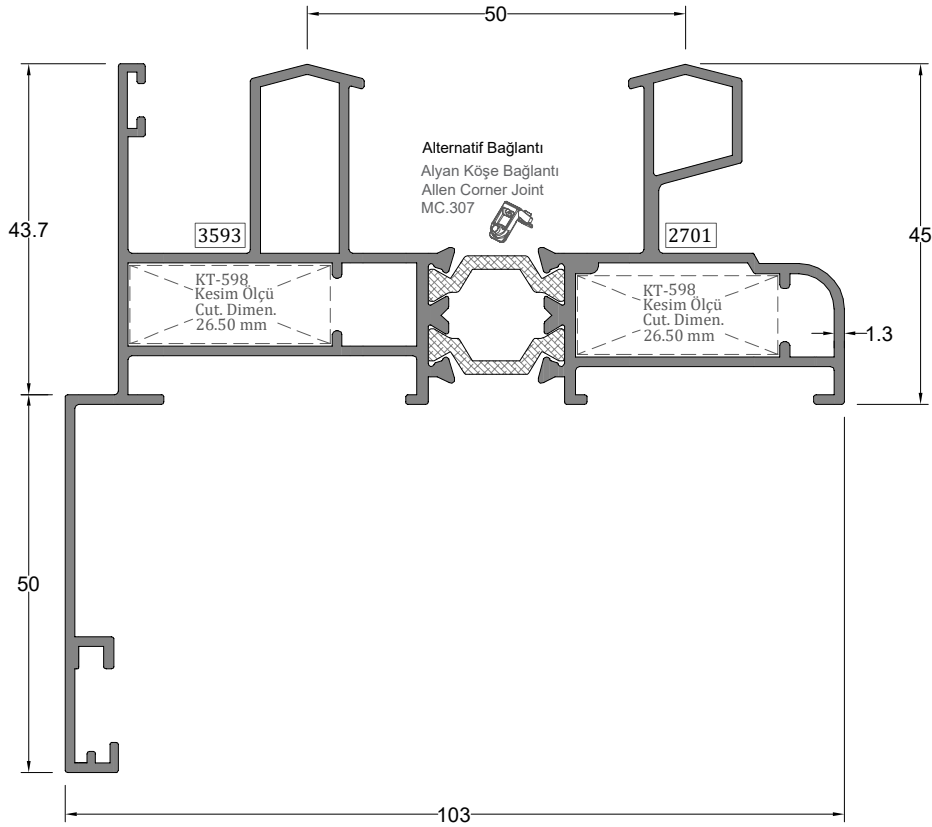
İki Raylı Kasa Profili DOUBLE RAIL FRAME PROFILE	Profil Kodu Profile Code	(kg/mt) Weight	Jx cm ⁴	Jy cm ⁴
	5846-3581	1,799	54,62	10,31



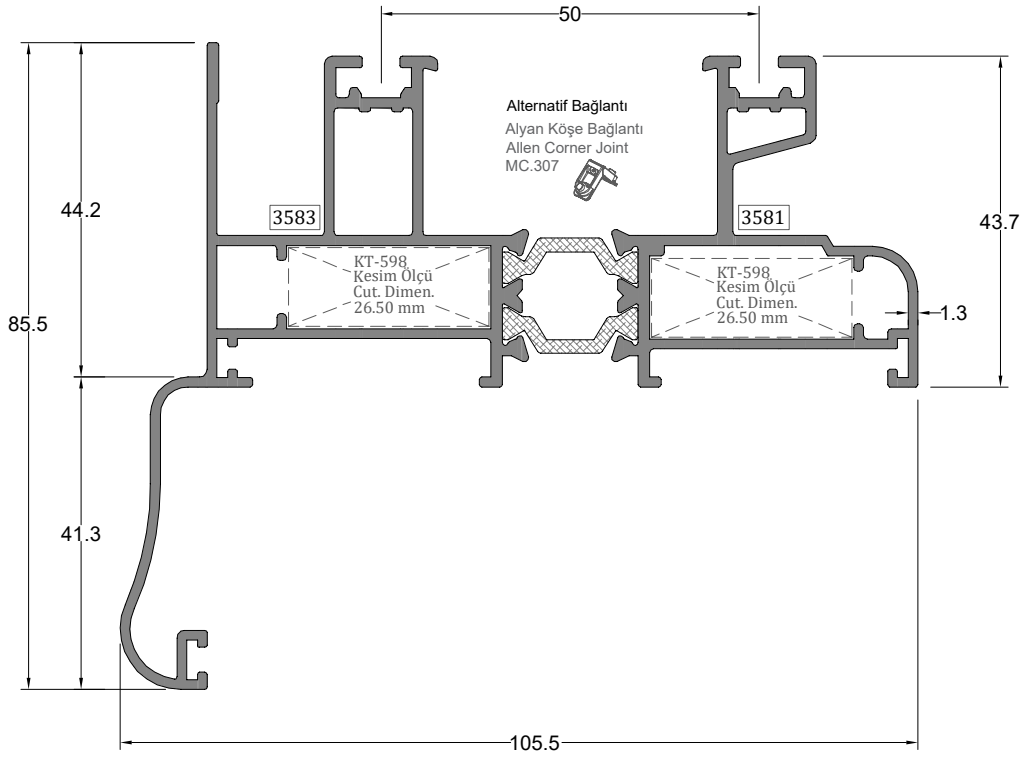
İki Raylı Kasa Profili DOUBLE RAIL FRAME PROFILE	Profil Kodu Profile Code	(kg/mt) Weight	Jx cm ⁴	Jy cm ⁴
	5846-3582	1,952	71,10	11,19



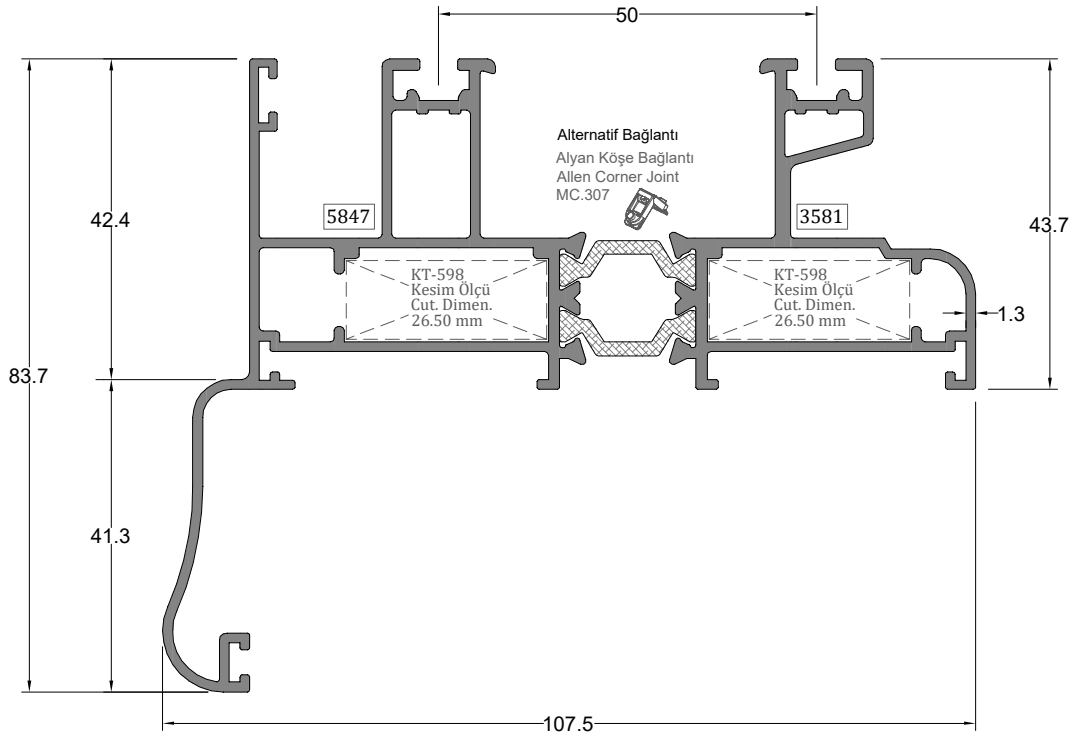
İki Raylı Kasa Profili DOUBLE RAIL FRAME PROFILE	Profil Kodu Profile Code	(kg/mt) Weight	Jx cm ⁴	Jy cm ⁴
	2818-2701	1,847	64,12	17,24



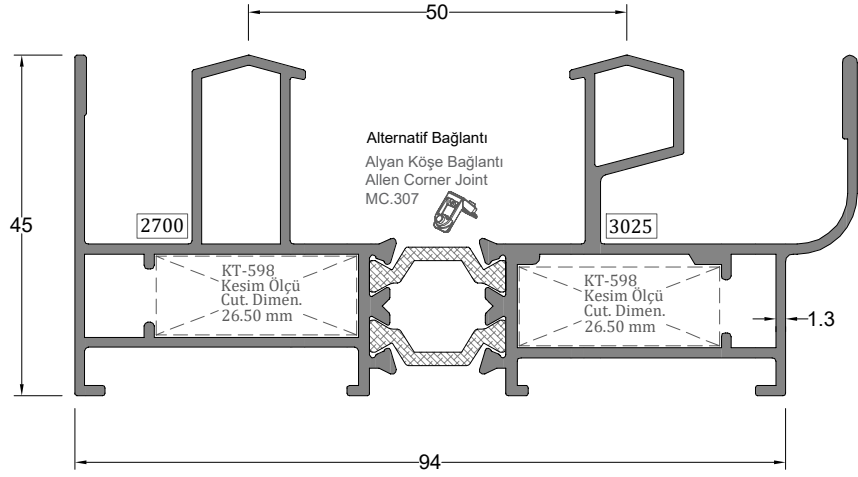
İki Raylı Kasa Profili DOUBLE RAIL FRAME PROFILE	Profil Kodu Profile Code	(kg/mt) Weight	Jx cm ⁴	Jy cm ⁴
	3593-2701	1,948	64,12	17,24



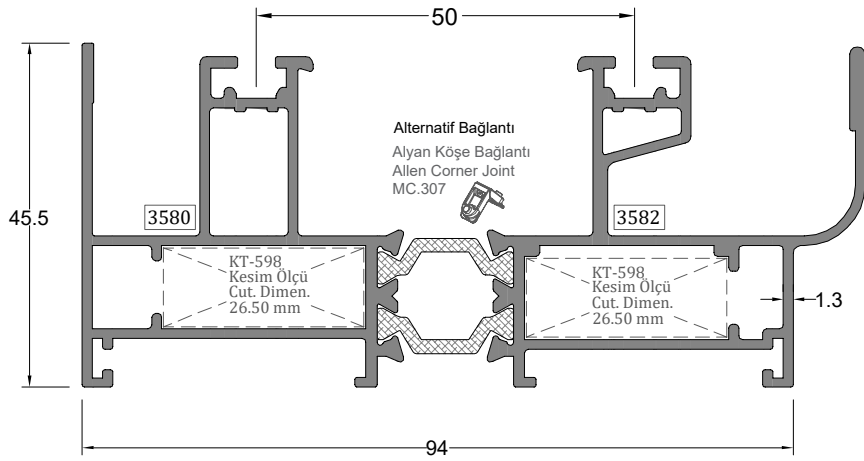
İki Raylı Kasa Profili DOUBLE RAIL FRAME PROFILE	Profil Kodu Profile Code	(kg/mt) Weight	Jx cm ⁴	Jy cm ⁴
	3583-3581	1,981	71,22	25,40



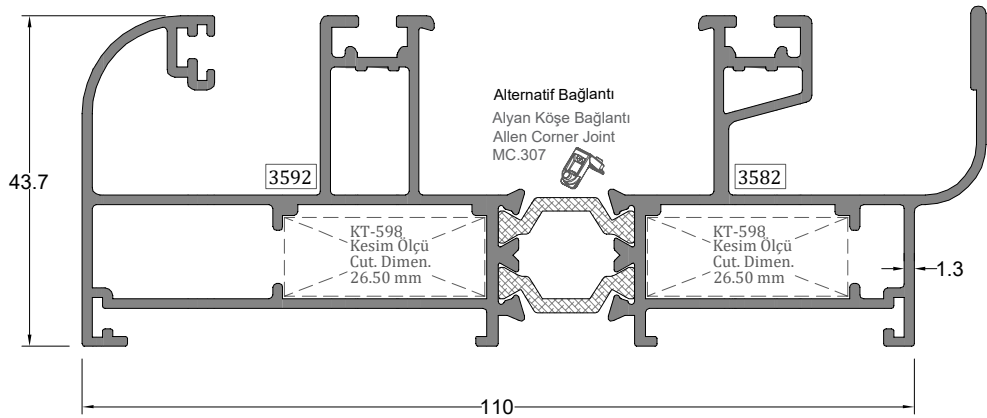
İki Raylı Kasa Profili DOUBLE RAIL FRAME PROFILE	Profil Kodu Profile Code	(kg/mt) Weight	Jx cm ⁴	Jy cm ⁴
	5847-3581	2,026	71,91	28,33



İki Raylı Sineklikli Kasa Profili	Profil Kodu	(kg/mt)	Jx cm ⁴	Jy cm ⁴
DOUBLE RAIL SCREENING FRAME PROFILE	Profile Code	Weight		
	2700-3025	1,812	64,30	10,92

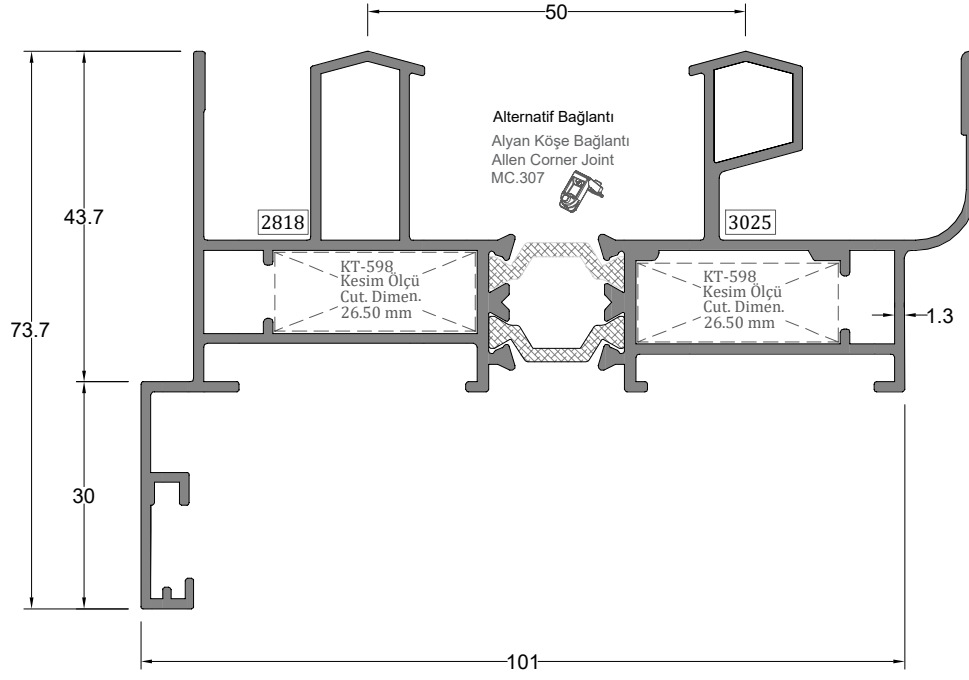


İki Raylı Sineklikli Kasa Profili	Profil Kodu	(kg/mt)	Jx cm ⁴	Jy cm ⁴
DOUBLE RAIL SCREENING FRAME PROFILE	Profile Code	Weight		
	3580-3582	1,902	67,43	11,77

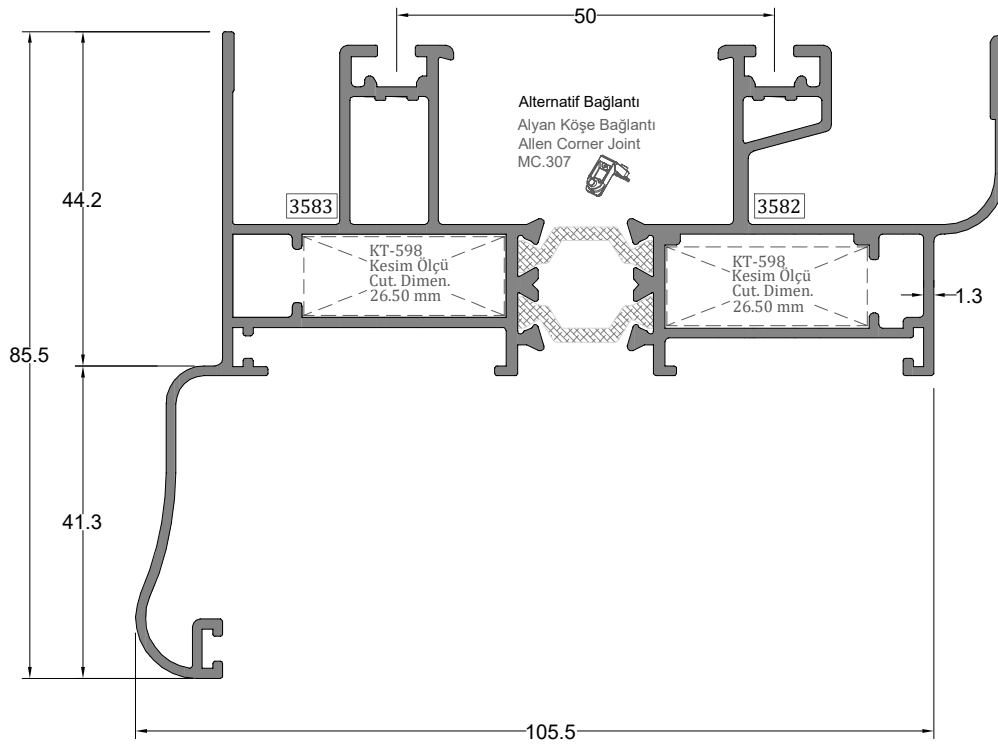


İki Raylı Sineklikli Kasa Profili	Profil Kodu	(kg/mt)	Jx cm ⁴	Jy cm ⁴
DOUBLE RAIL SCREENING FRAME PROFILE	Profile Code	Weight		
	3592-3582	2,128	98,67	13,70

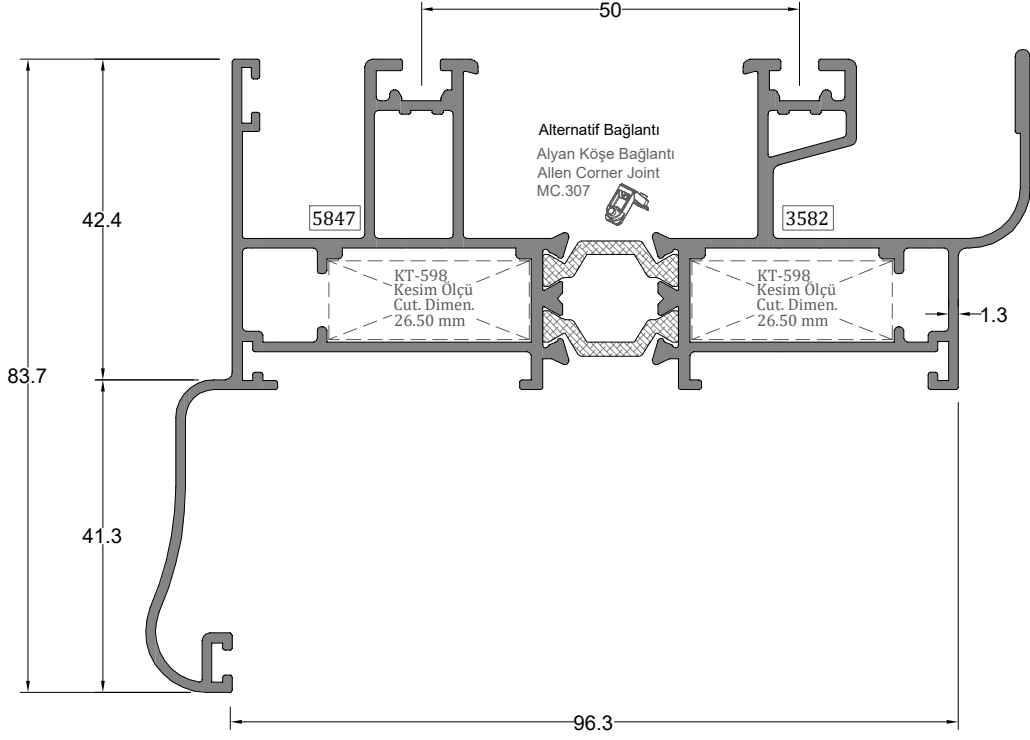
** Her profil için minimum sipariş 300 kg'dır.
 ** Minimum order quantity is 300 kg per profile.



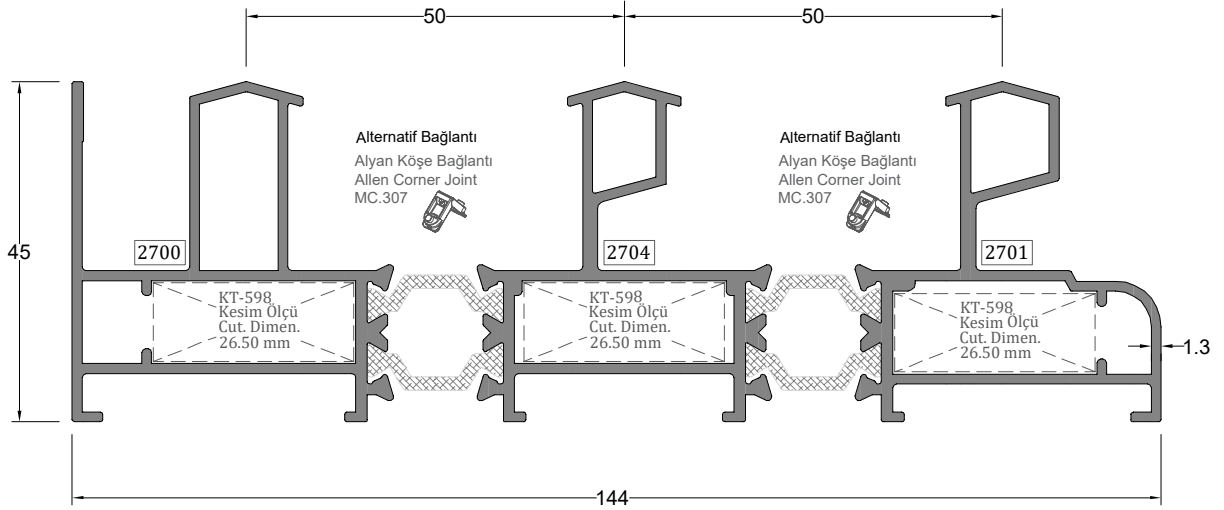
İki Raylı Sineklikli Kasa Profili DOUBLE RAIL SCREENING FRAME PROFILE	Profil Kodu	(kg/mt)	Jx cm ⁴	Jy cm ⁴
	Profile Code	Weight		
	2818-3025	2,016	83,48	18,79



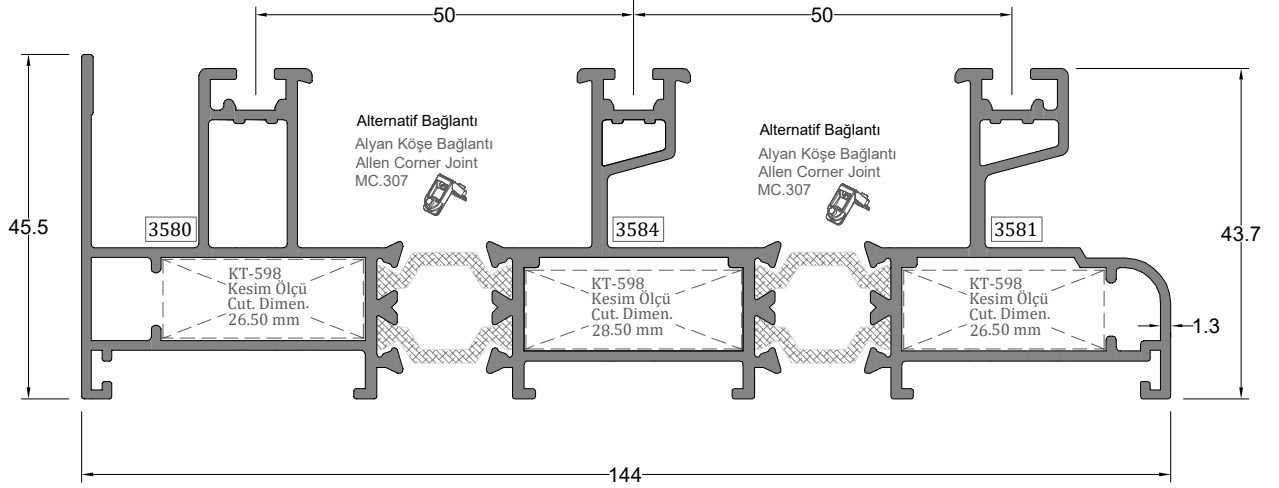
İki Raylı Sineklikli Kasa Profili DOUBLE RAIL SCREENING FRAME PROFILE	Profil Kodu	(kg/mt)	Jx cm ⁴	Jy cm ⁴
	Profile Code	Weight		
	3583-3582	2,134	90,73	27,05



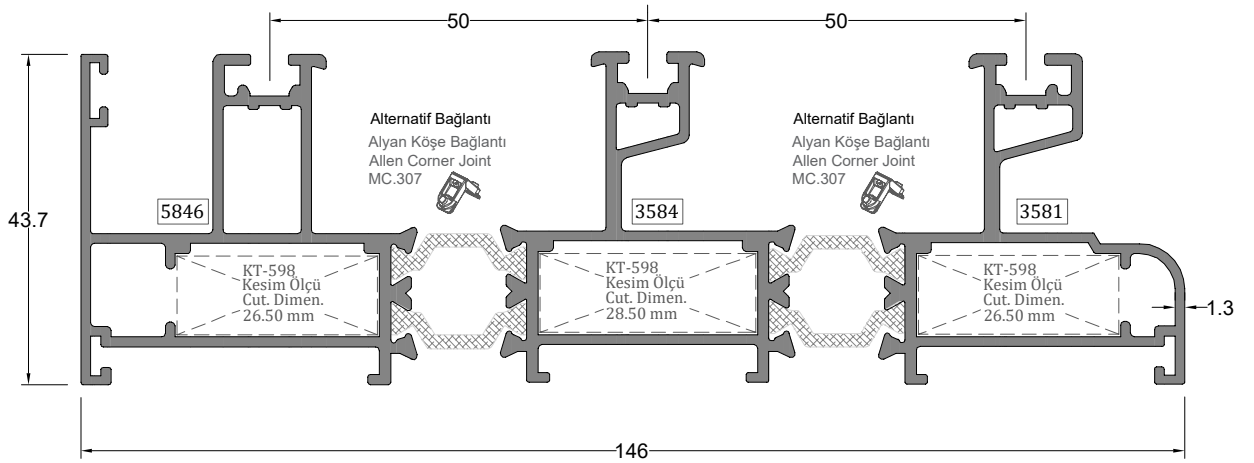
İki Raylı Sineklikli Kasa Profili DOUBLE RAIL SCREENING FRAME PROFILE	Profil Kodu Profile Code	(kg/mt) Weight	Jx cm ⁴	Jy cm ⁴
	5847-3582	2,185	95,04	26,95



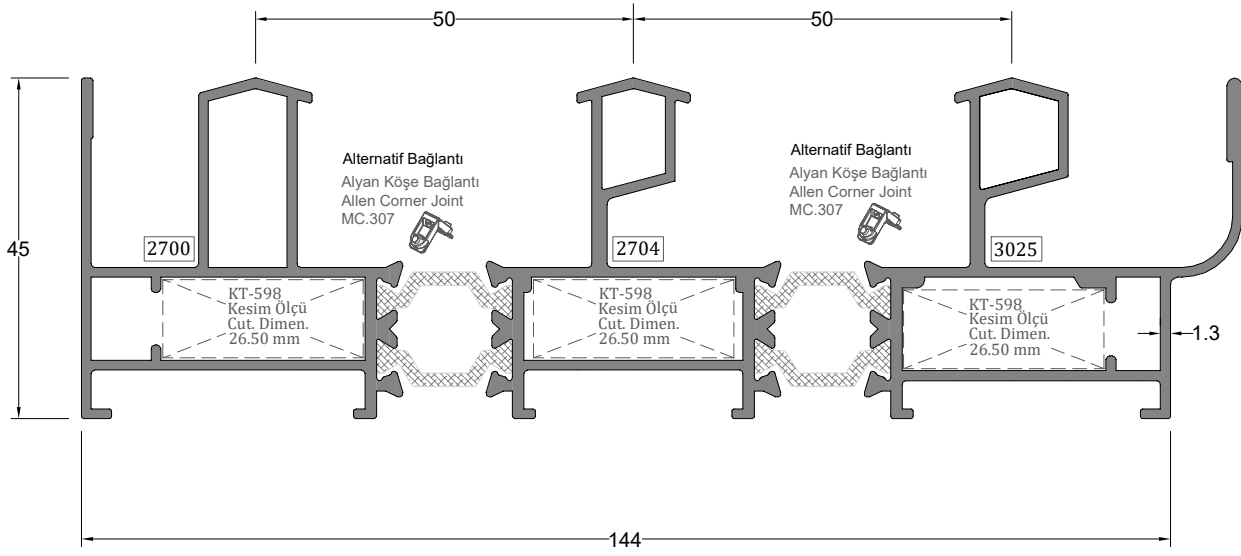
Üç Raylı Kasa Profili TRIPLE RAIL FRAME PROFILE	Profil Kodu Profile Code	(kg/mt) Weight	Jx cm ⁴	Jy cm ⁴
	2700-2704-2701	2,523	159,69	13,26



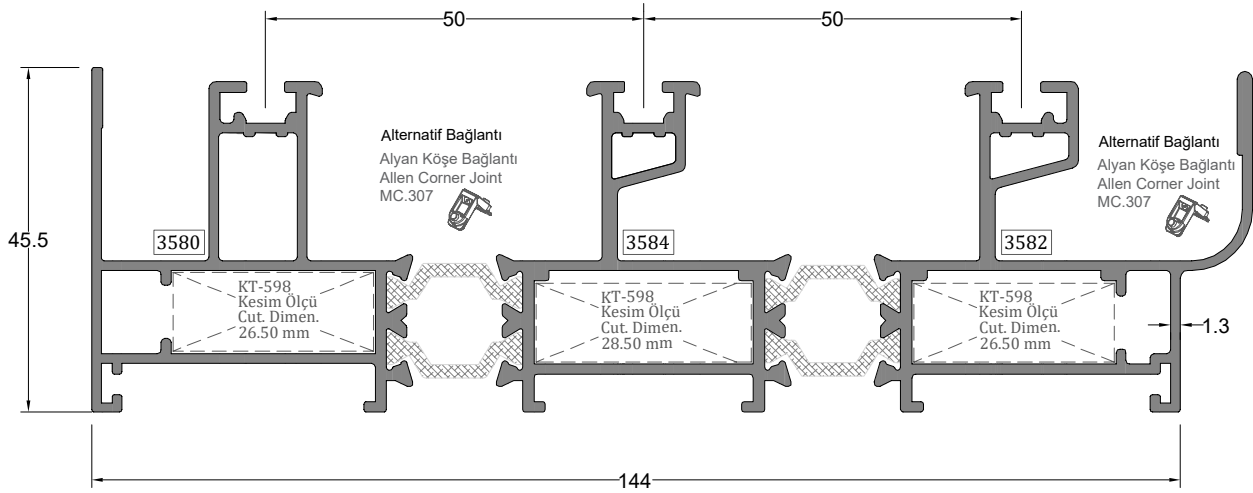
Üç Raylı Kasa Profili TRIPLE RAIL FRAME PROFILE	Profil Kodu Profile Code	(kg/mt) Weight	Jx cm ⁴	Jy cm ⁴
	3580-3584-3581	2,662	272,32	17,50



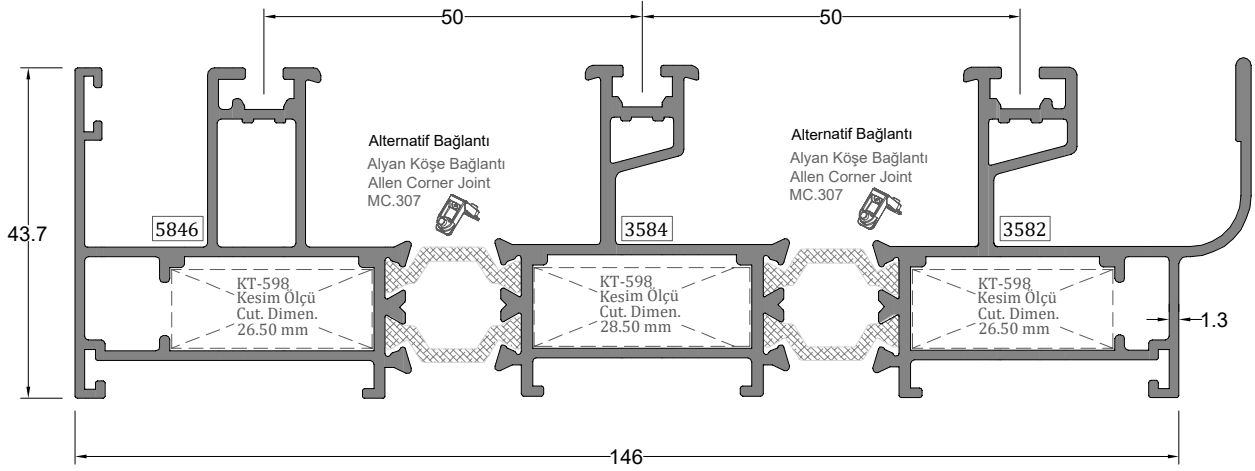
Üç Raylı Kasa Profili TRIPLE RAIL FRAME PROFILE	Profil Kodu Profile Code	(kg/mt) Weight	Jx cm ⁴	Jy cm ⁴
	5846-3584-3581	2,713	178,12	14,86



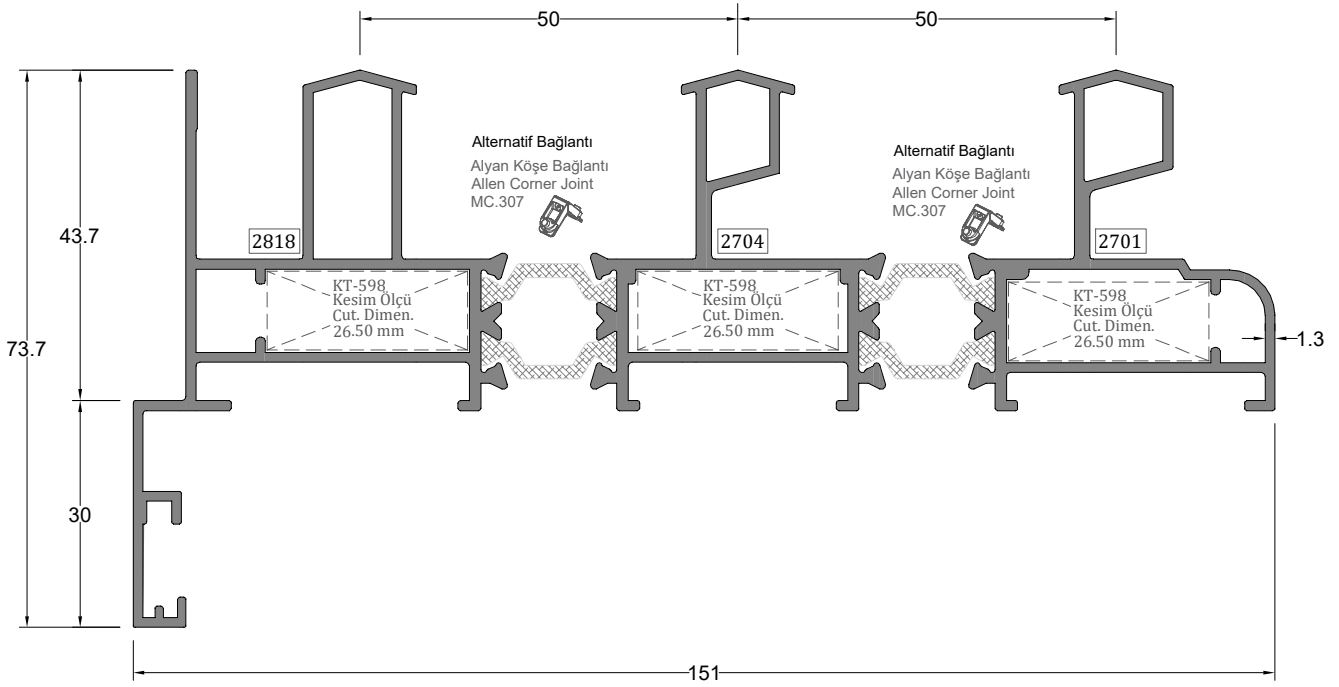
Üç Raylı Sineklikli Kasa Profili TRIPLE RAIL SCREENING FRAME PROFILE	Profil Kodu Profile Code	(kg/mt) Weight	Jx cm ⁴	Jy cm ⁴
	2700-2704-3025	2,700	207,36	15,76



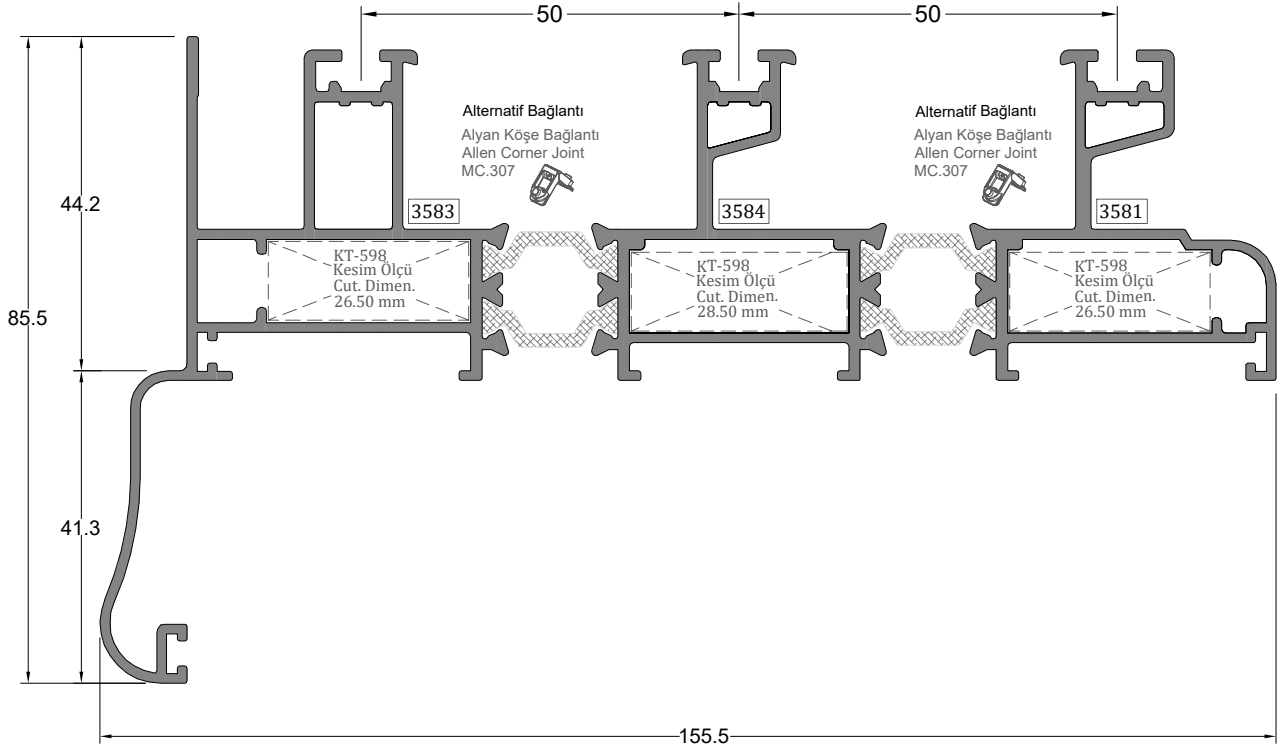
Üç Raylı Sineklikli Kasa Profili TRIPLE RAIL SCREENING FRAME PROFILE	Profil Kodu Profile Code	(kg/mt) Weight	Jx cm ⁴	Jy cm ⁴
	3580-3584-3582	2,815	217,09	17,08



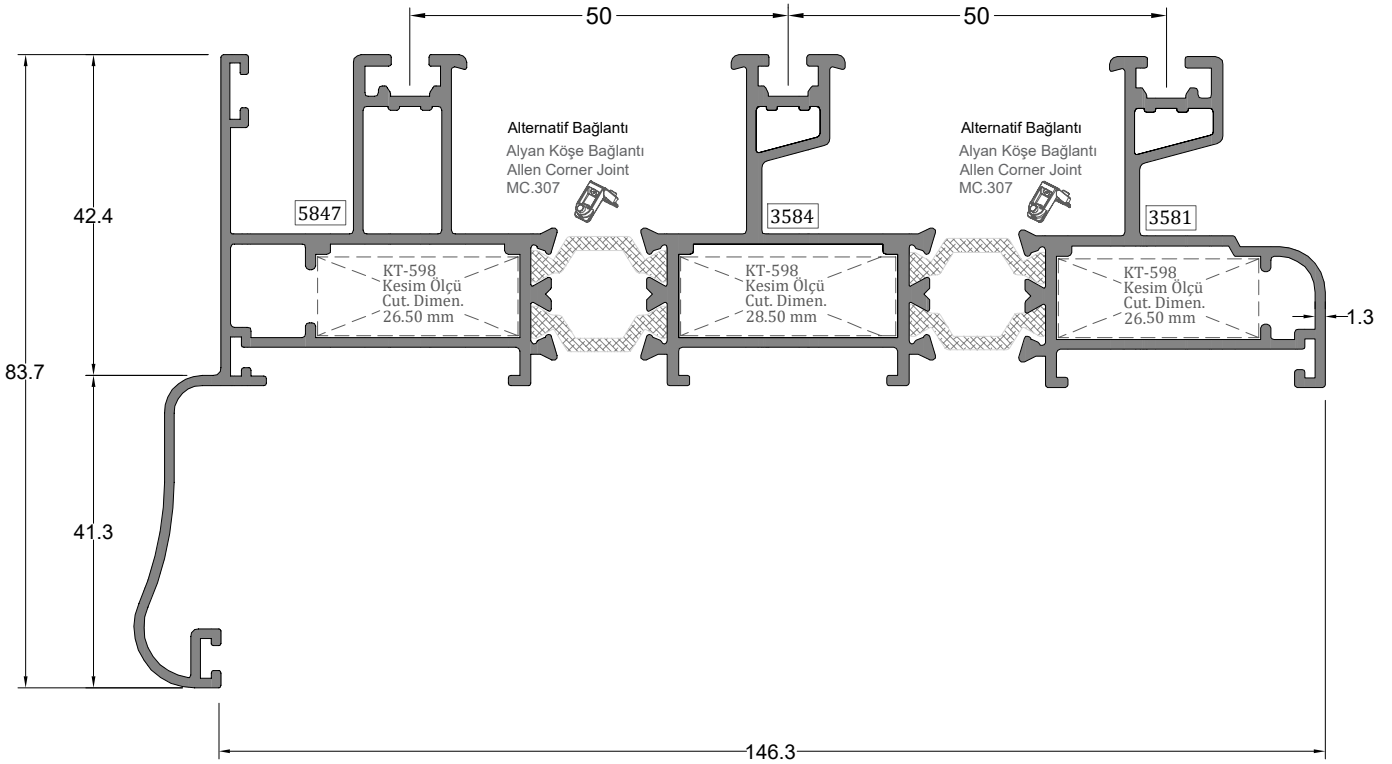
Üç Raylı Sineklikli Kasa Profili TRIPLE RAIL SCREENING FRAME PROFILE	Profil Kodu Profile Code	(kg/mt) Weight	Jx cm ⁴	Jy cm ⁴
	5846-3584-3582	2,866	207,36	15,76



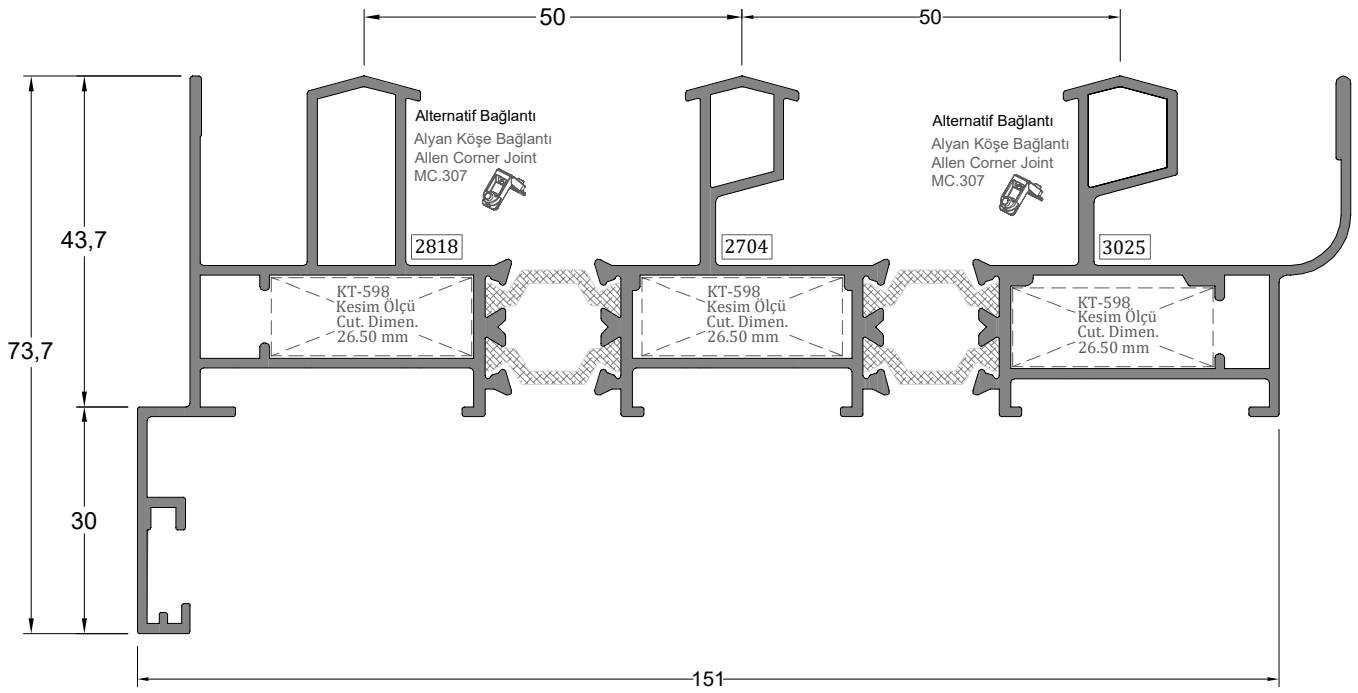
Üç Raylı Kasa Profili TRIPLE RAIL FRAME PROFILE	Profil Kodu Profile Code	(kg/mt) Weight	Jx cm ⁴	Jy cm ⁴
	2818-2704-2701	2,721	210,04	22,02



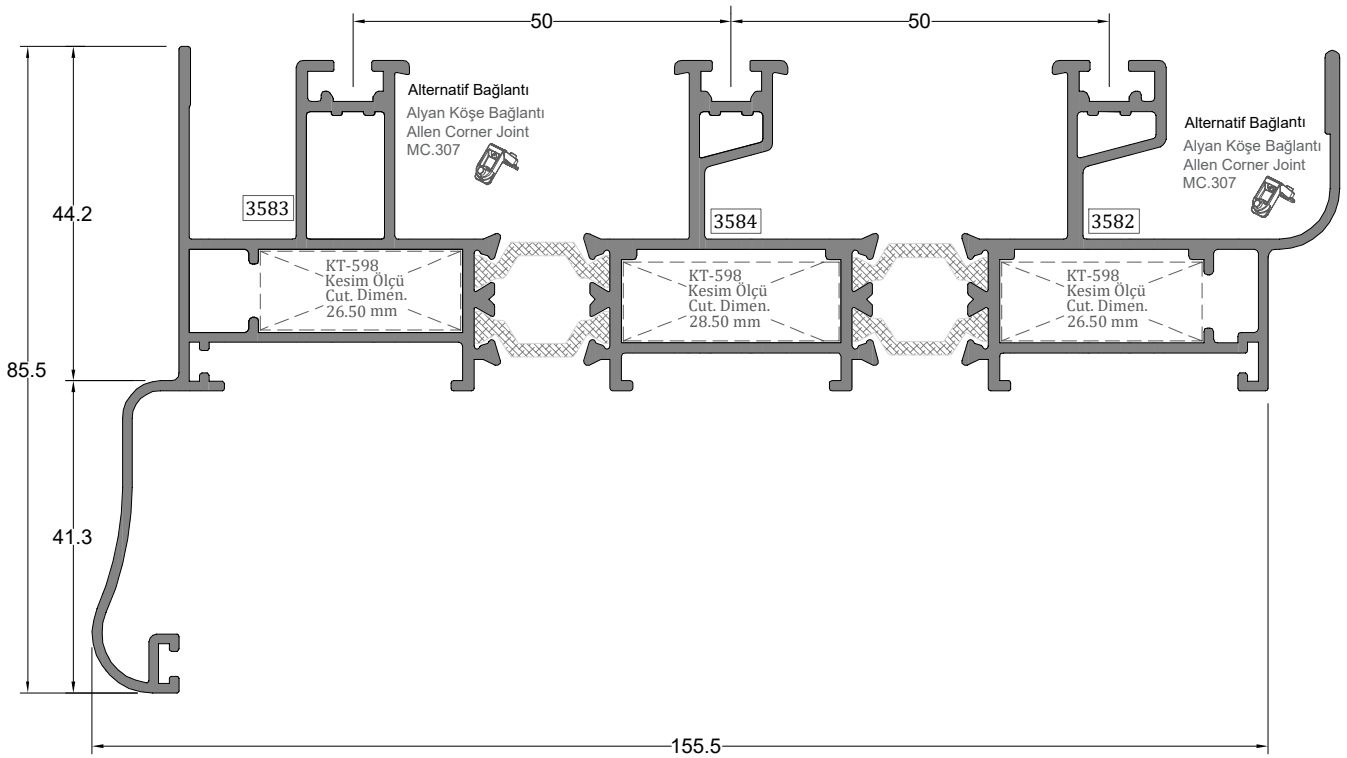
Üç Raylı Kasa Profili TRIPLE RAIL FRAME PROFILE	Profil Kodu Profile Code	(kg/mt) Weight	Jx cm ⁴	Jy cm ⁴
	3583-3584-3581	2,662	228,73	30,78



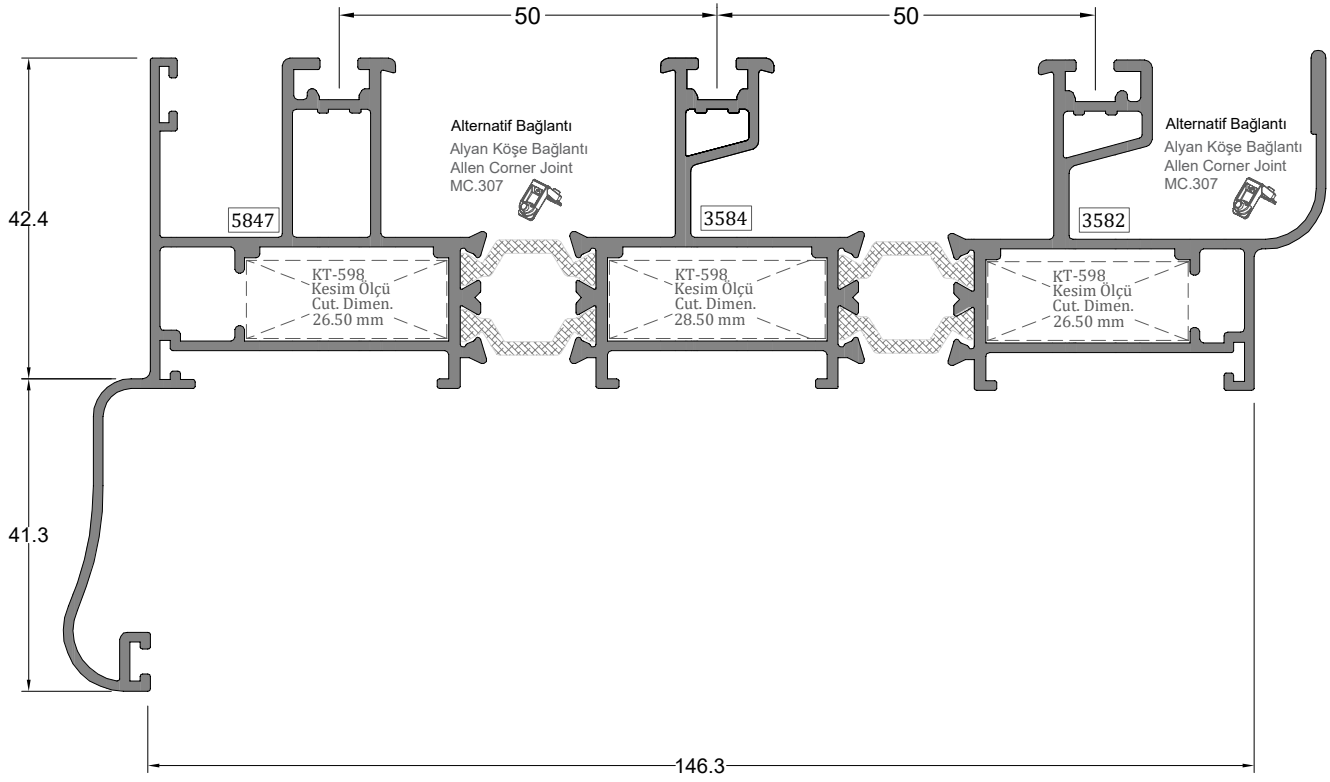
Üç Raylı Kasa Profili TRIPLE RAIL FRAME PROFILE	Profil Kodu Profile Code	(kg/mt) Weight	Jx cm ⁴	Jy cm ⁴
	5847-3584-3581	2,946	223,49	30,28



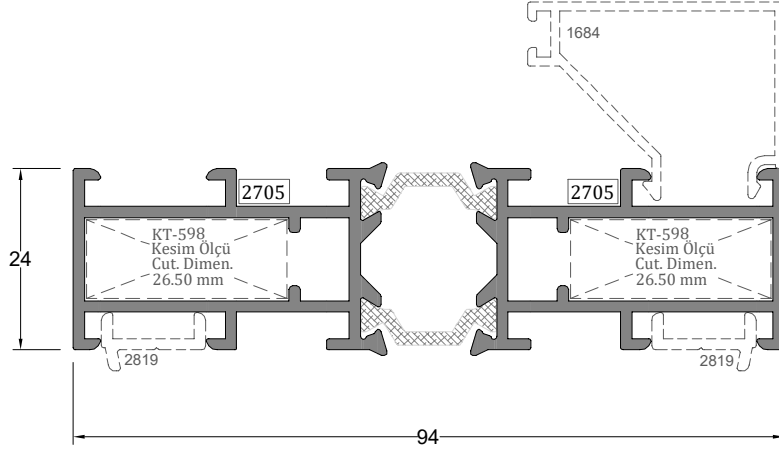
Üç Raylı Sineklikli Kasa Profili TRIPLE RAIL SCREENING FRAME PROFILE	Profil Kodu	(kg/mt)	Jx cm ⁴	Jy cm ⁴
	Profile Code	Weight		
	2818-2704-3025	2,898	249,90	23,51



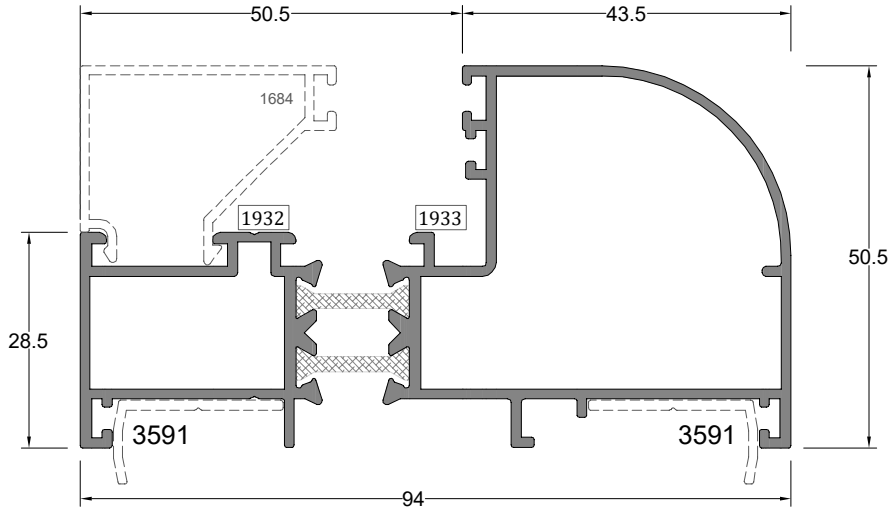
Üç Raylı Sineklikli Kasa Profili TRIPLE RAIL SCREENING FRAME PROFILE	Profil Kodu	(kg/mt)	Jx cm ⁴	Jy cm ⁴
	Profile Code	Weight		
	3583-3584-3582	3,047	268,33	32,31



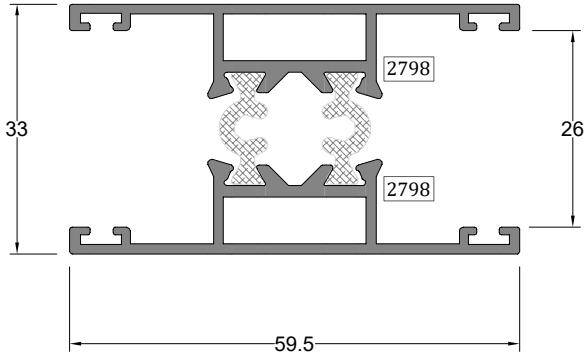
Üç Raylı Sineklikli Kasa Profili TRIPLE RAIL SCREENING FRAME PROFILE	Profil Kodu Profile Code	(kg/mt) Weight	Jx cm ⁴	Jy cm ⁴
	5847-3584-3582	3,098	265,54	31,64



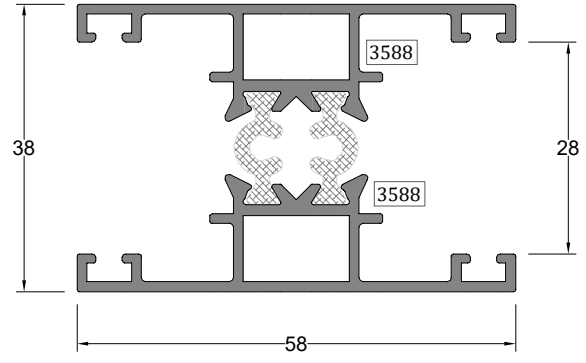
Sabit Kasa Profili FIXED FRAME PROFILE	Profil Kodu Profile Code	(kg/mt) Weight
	2705-2705	1,485



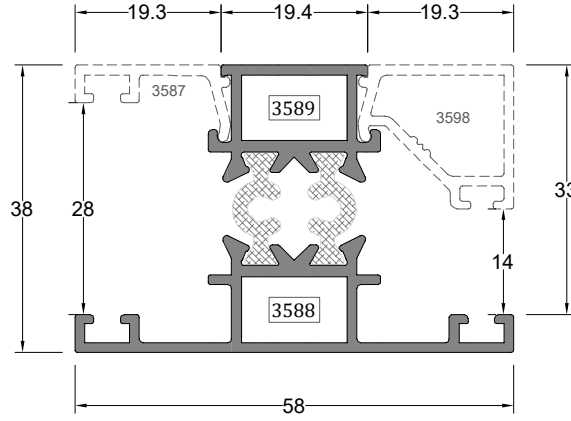
Sabit Kasa Profili FIXED FRAME PROFILE	Profil Kodu Profile Code	(kg/mt) Weight
	1932-1933	1,478



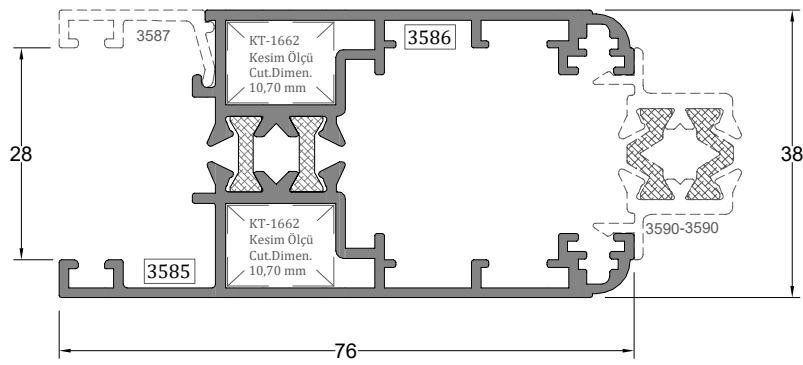
Kanat İçi Orta Kayıt Profili	Profil Kodu	(kg/mt)
SASH INTERNAL MULLION PROFILE	Profile Code	Weight
	2798-2798	1,021



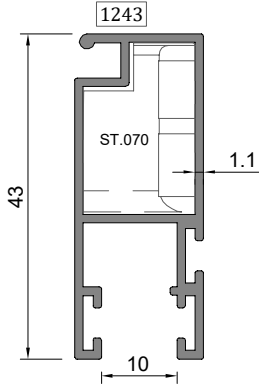
Kanat İçi Orta Kayıt Profili	Profil Kodu	(kg/mt)
SASH INTERNAL MULLION PROFILE	Profile Code	Weight
	3588-3588	1,134



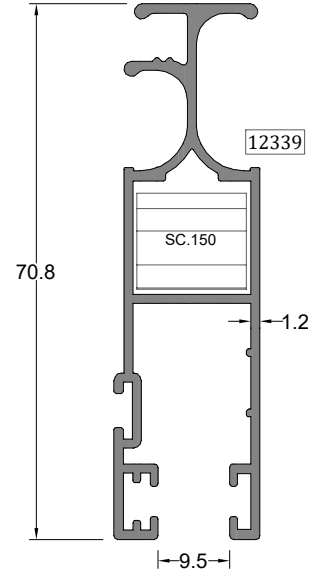
Orta Kayıt Profili	Profil Kodu	(kg/mt)
MULLION PROFILE	Profile Code	Weight
	3588-3589	0,942



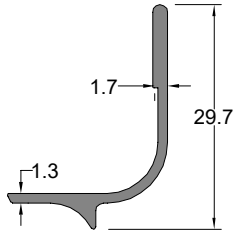
Kanat Profili	Profil Kodu	(kg/mt)	Jx cm ⁴	Jy cm ⁴
SASH PROFILE	Profile Code	Weight		
	3585-3586	1,289	18,10	8,98



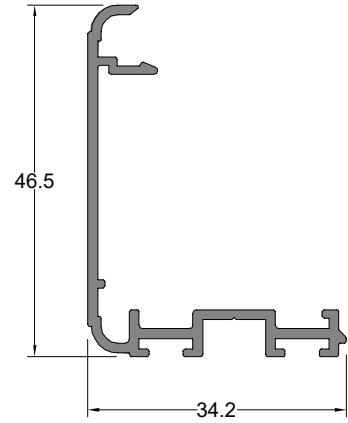
Sineklik Profili	Profil Kodu	(kg/mt)
SCREENING PROFILE	Profile Code	Weight
	1243	0,434



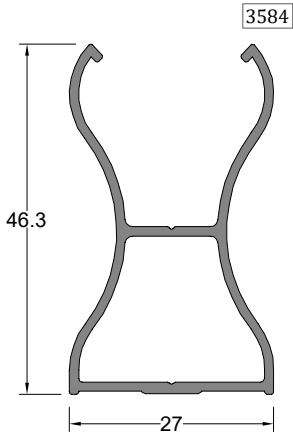
Sineklik Profili	Profil Kodu	(kg/mt)
SCREENING PROFILE	Profile Code	Weight
	12339	0,703



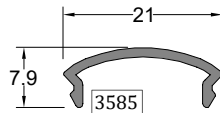
Sineklik Ray Profili	Profil Kodu	(kg/mt)
SCREENING RAIL PROFILE	Profile Code	Weight
	2707	0,190



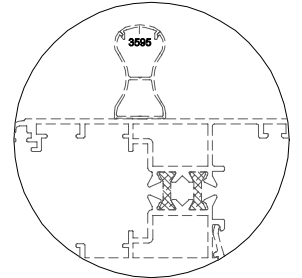
Kenet Profili	Profil Kodu	(kg/mt)
INTERLOCK PROFILE	Profile Code	Weight
	2703	0,403

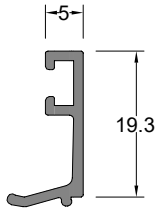


Takviye Profili	Profil Kodu	(kg/mt)
REINFORCE PROFILE	Profile Code	Weight
	3594	0,456

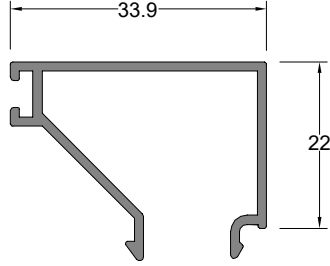


Takviye Kapak Profili	Profil Kodu	(kg/mt)
REINFORCE COVER PROFILE	Profile Code	Weight
	3595	0,101

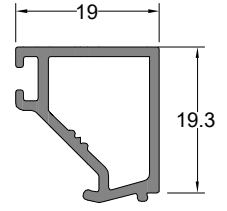




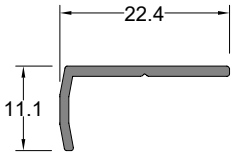
Çıta Profili BEAD PROFILE	Profil Kodu Profile Code	(kg/mt) Weight
	3587	0,140



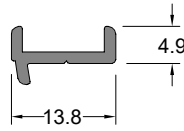
Çıta Profili BEAD PROFILE	Profil Kodu Profile Code	(kg/mt) Weight
	1684	0,325



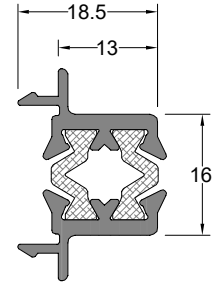
Çıta Profili BEAD PROFILE	Profil Kodu Profile Code	(kg/mt) Weight
	3598	0,263



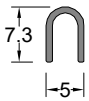
Adaptör Profili ADAPTER PROFILE	Profil Kodu Profile Code	(kg/mt) Weight
	3591	0,112



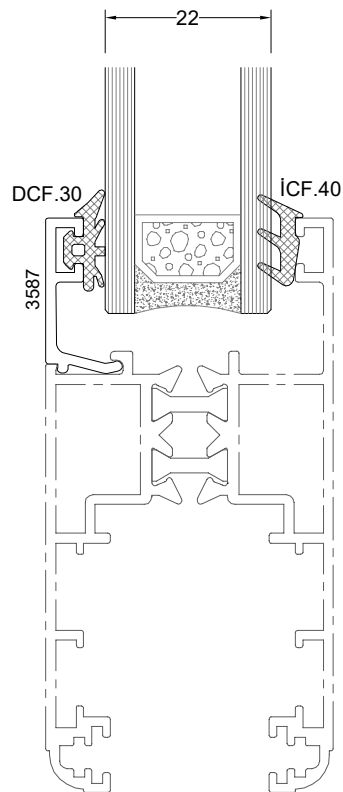
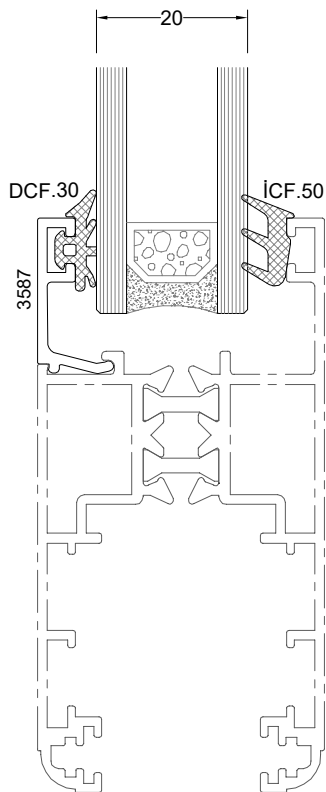
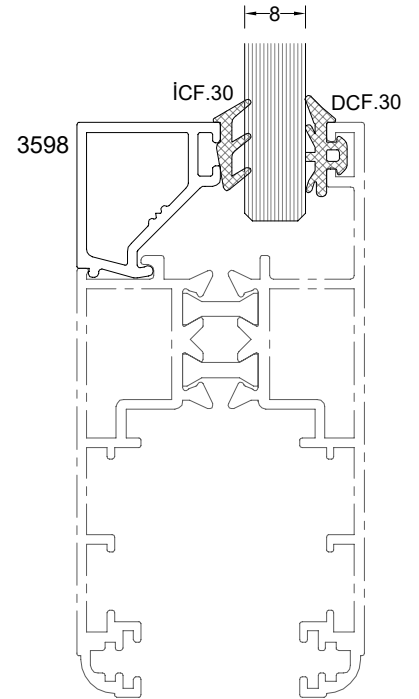
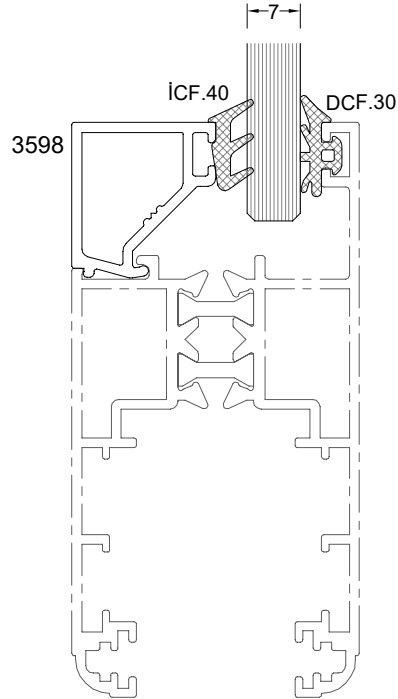
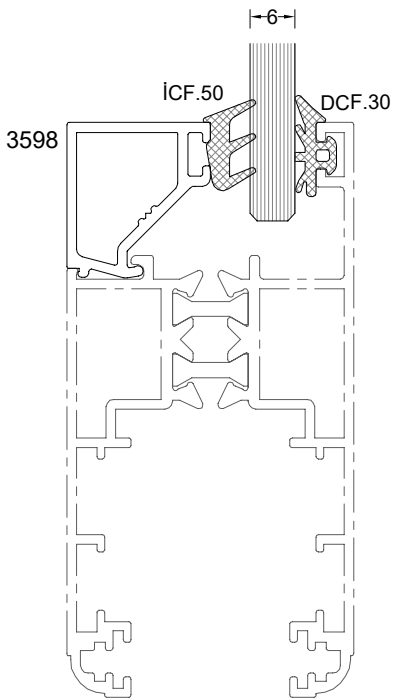
Adaptör Profili ADAPTER PROFILE	Profil Kodu Profile Code	(kg/mt) Weight
	2819	0,093

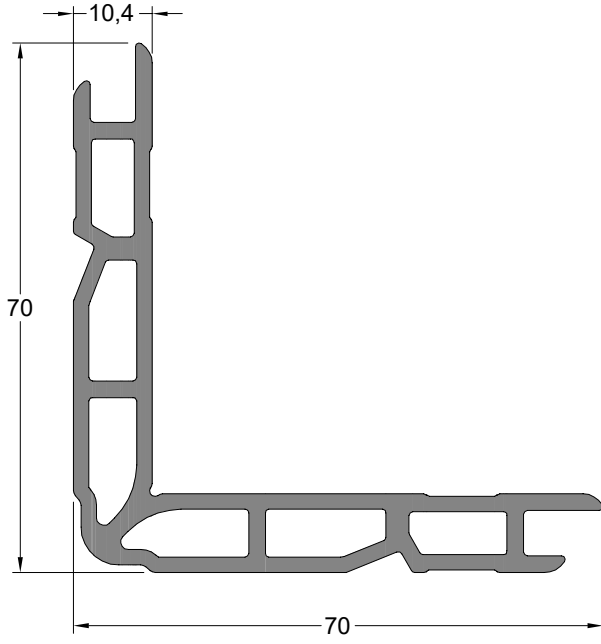


Adaptör Profili ADAPTER PROFILE	Profil Kodu Profile Code	(kg/mt) Weight
	3590-3590	0,454

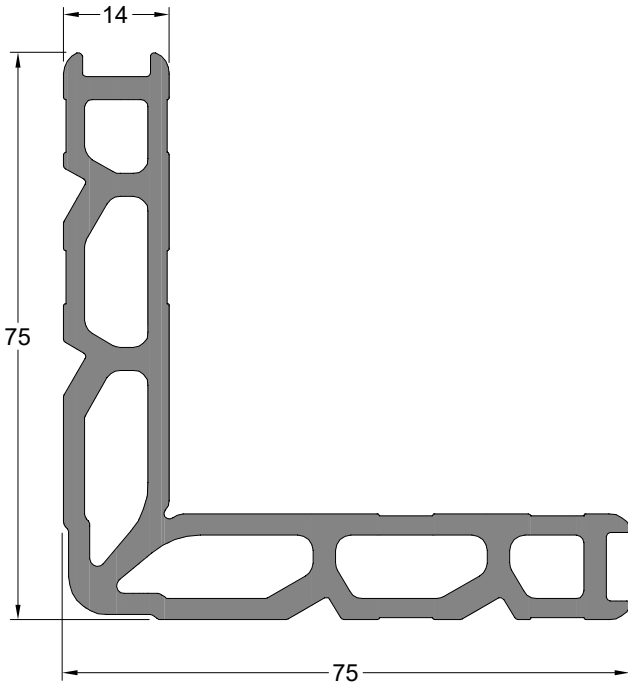


Ray Profili RAIL PROFILE	Profil Kodu Profile Code	(kg/mt) Weight
	6877	0,061

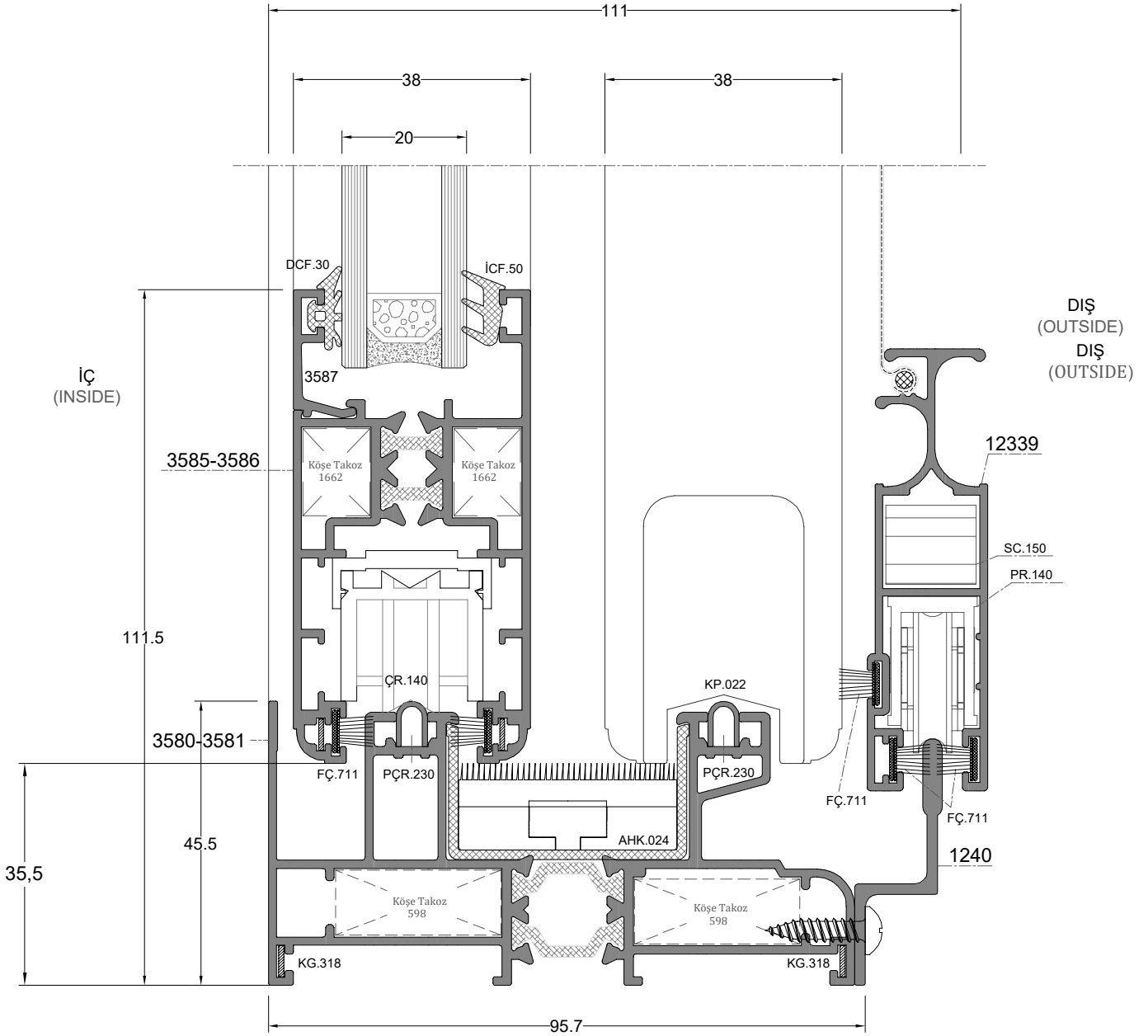
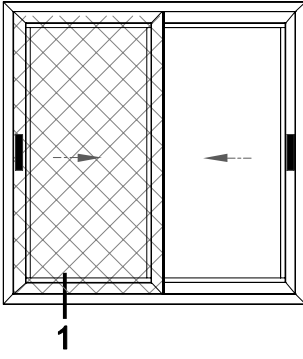


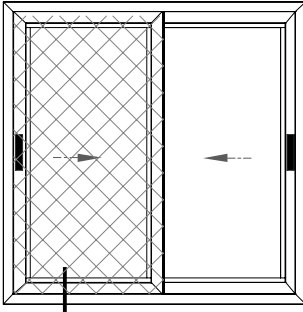


Köşe Takoz Profili CORNER WEDGE PROFILE		Profil Kodu Profile Code	(kg/mt) Weight
		598	1,677
Köşe Takozu Profil Kodu Corner Wedge Profile Code	Kullanıldığı Profil Compatible Profile	Kesim Boyu (mm) Cutting Length (mm)	
598	2705	26,00 mm	
	1932	25,20 mm	
	1933	47,20 mm	

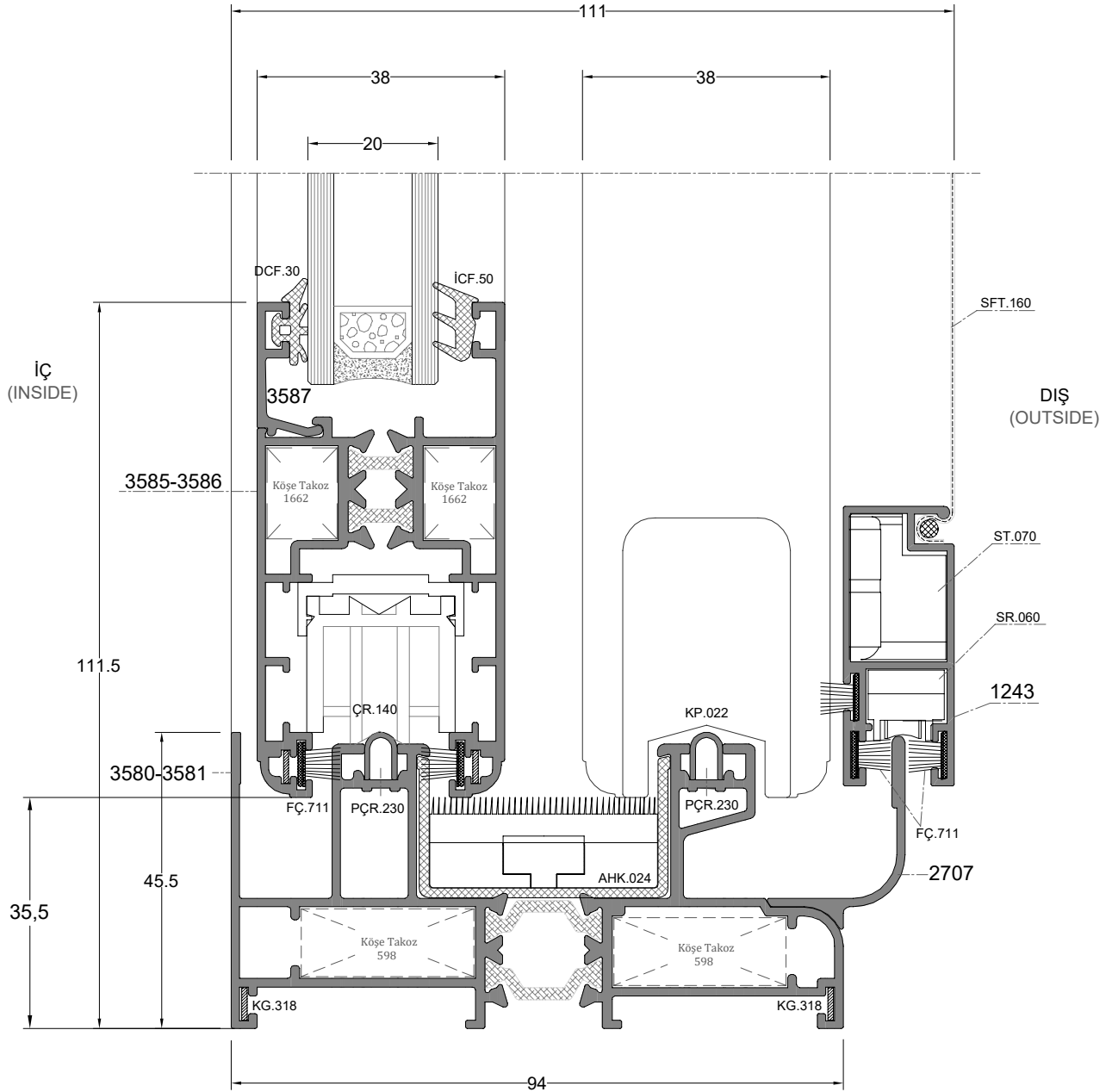


Köşe Takoz Profili CORNER WEDGE PROFILE		Profil Kodu Profile Code	(kg/mt) Weight
		1662	2,576
Köşe Takozu Profil Kodu Corner Wedge Profile Code	Kullanıldığı Profil Compatible Profile	Kesim Boyu (mm) Cutting Length (mm)	
1662	3585	10,70 mm	
	3586	10,70 mm	

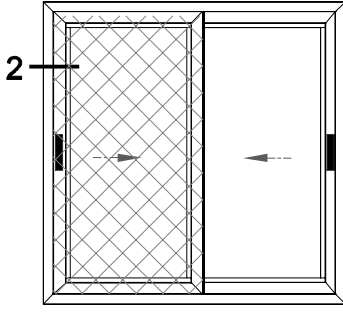




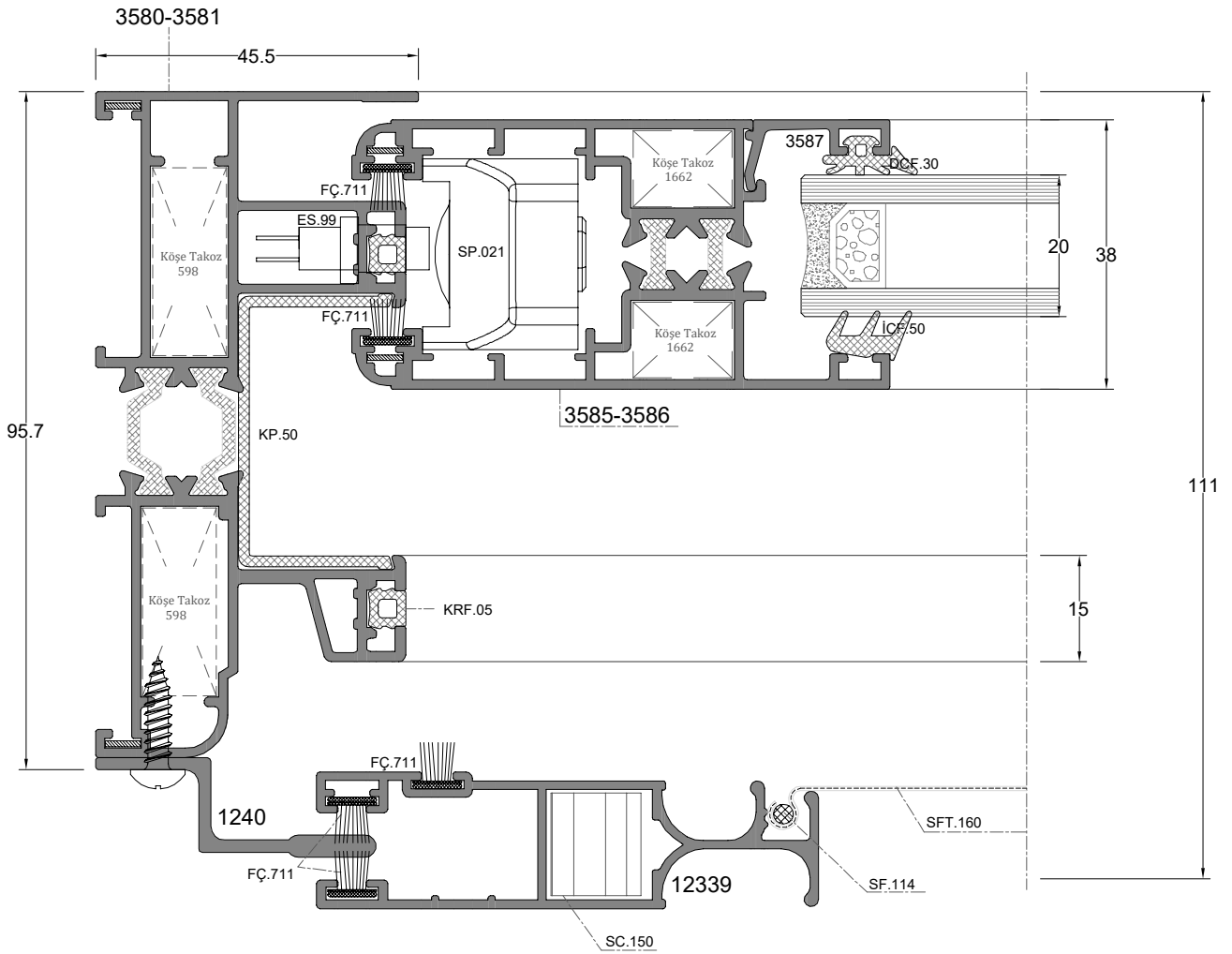
1A



D-1A

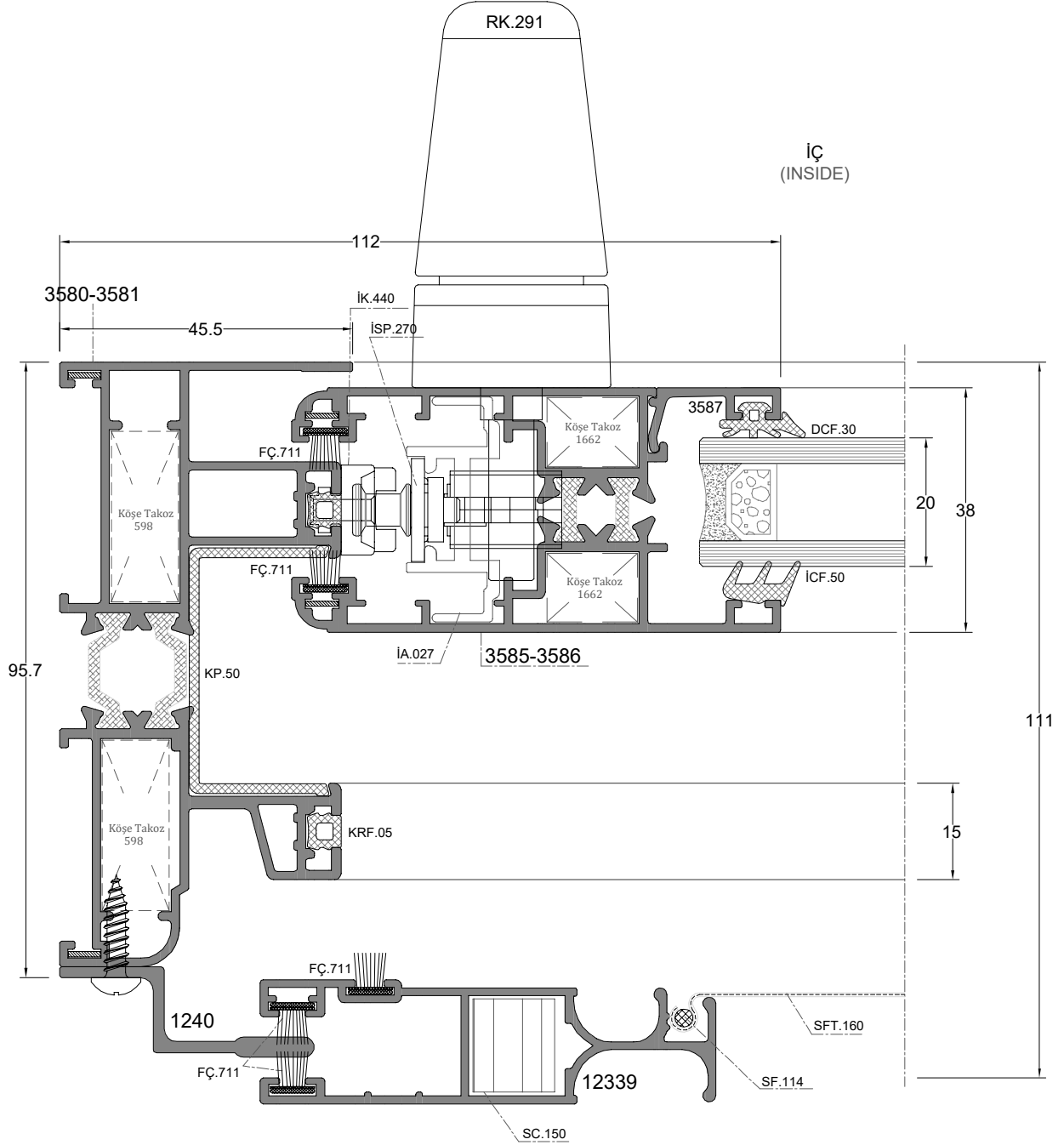
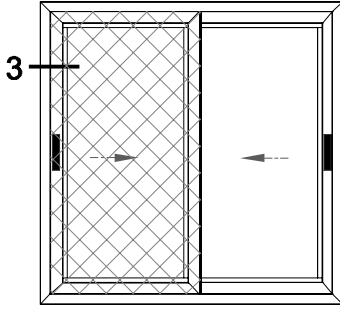


İÇ
(INSIDE)



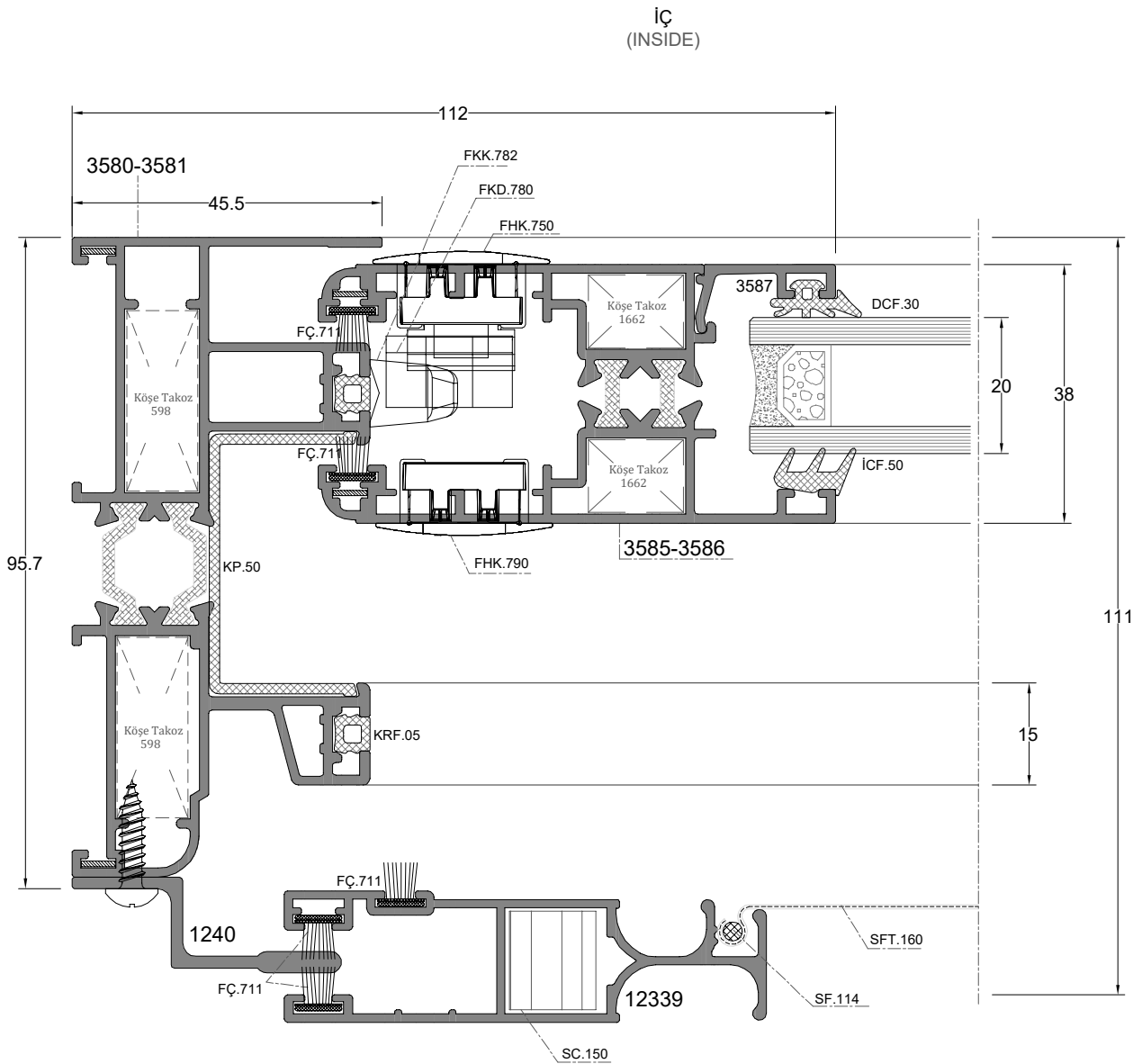
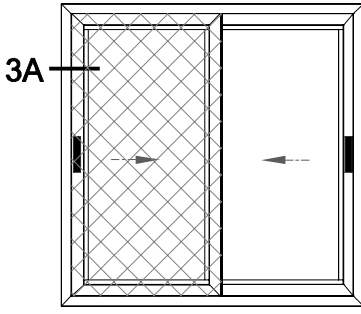
DIŞ
(OUTSIDE)

D-2

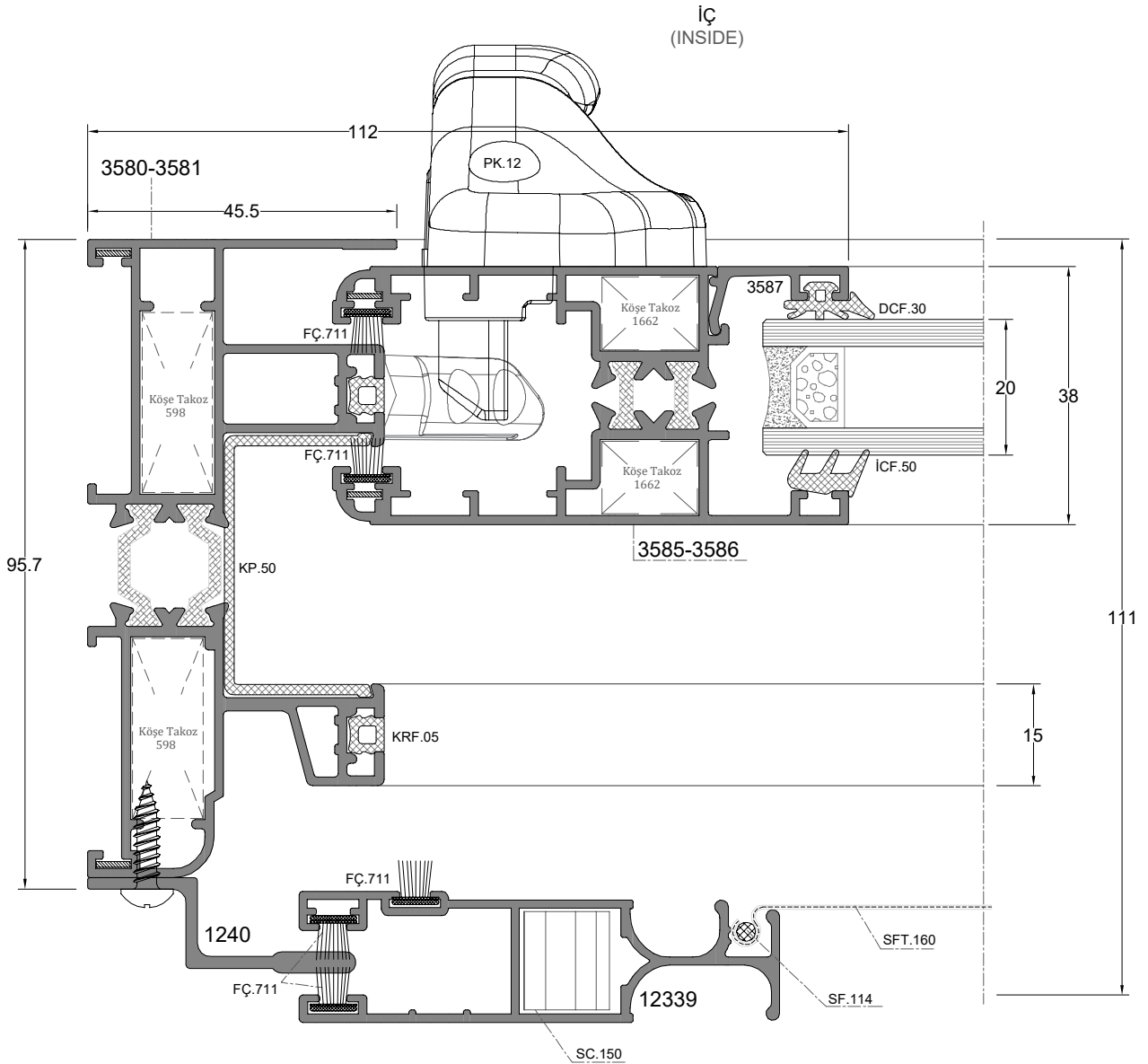
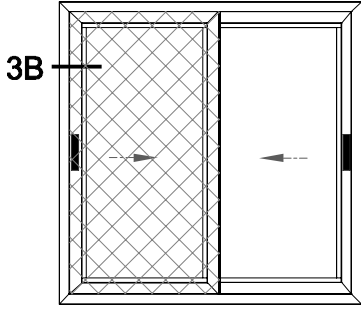


DIŞ
(OUTSIDE)

D-3

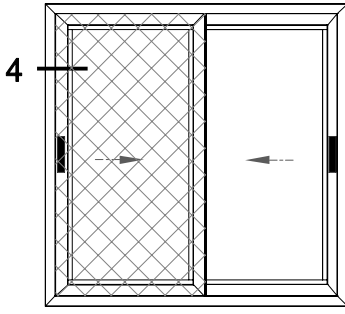


D-3A

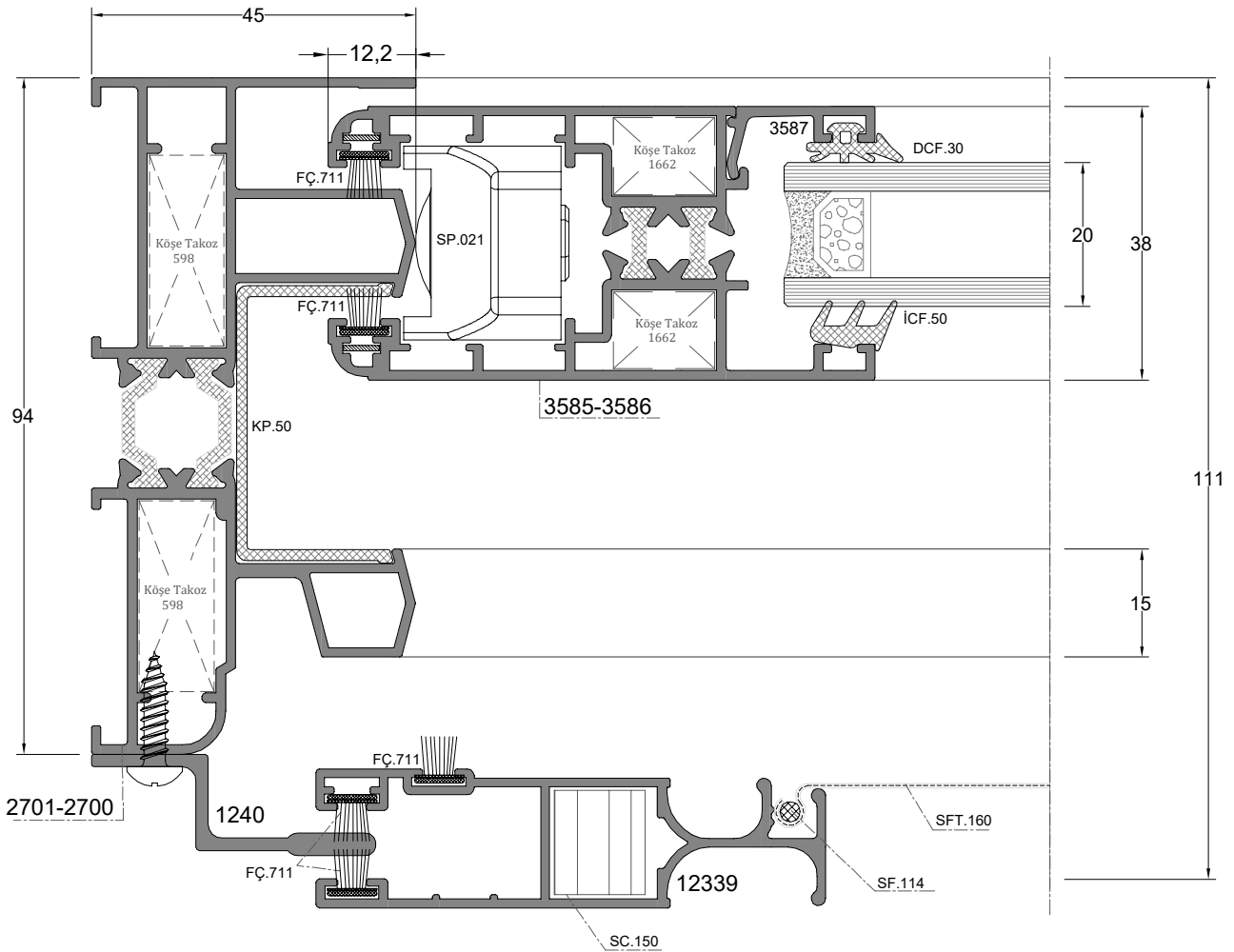


DIŞ
(OUTSIDE)

D-3B

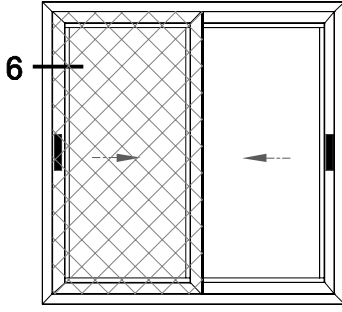


İÇ
(INSIDE)

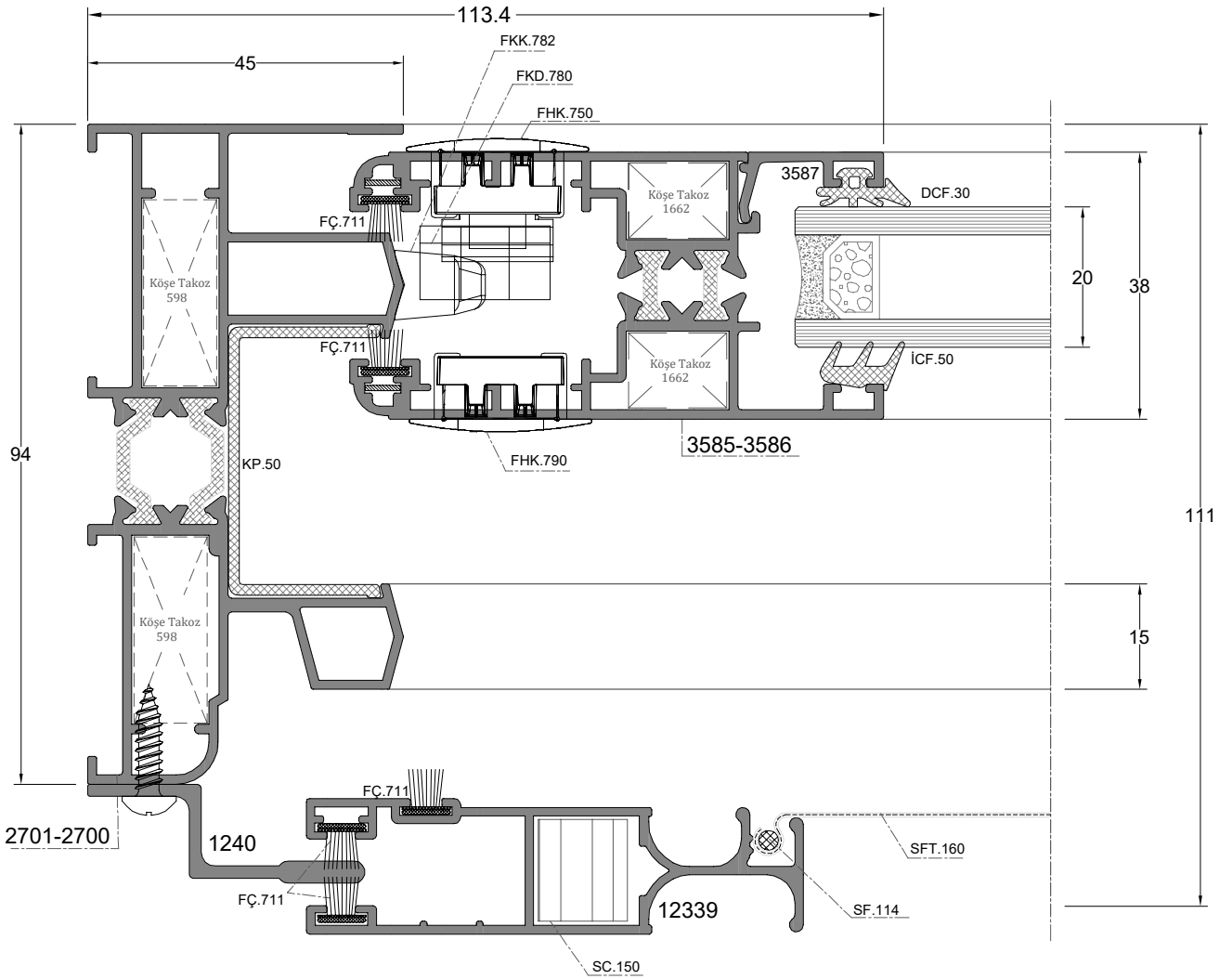


DIŞ
(OUTSIDE)

D-4

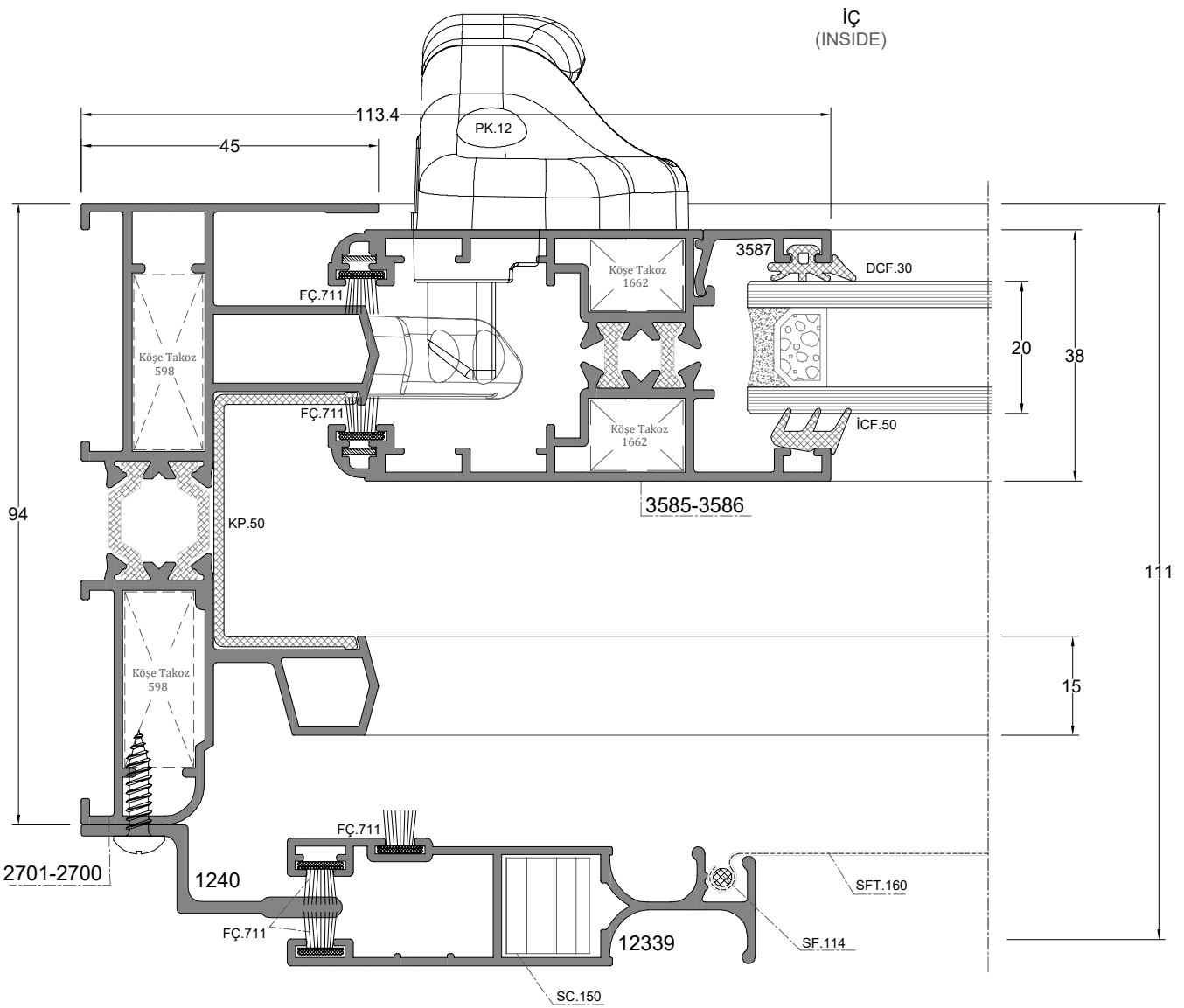
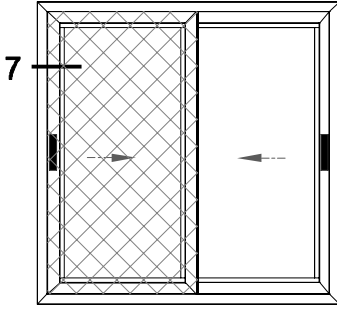


İÇ
(INSIDE)



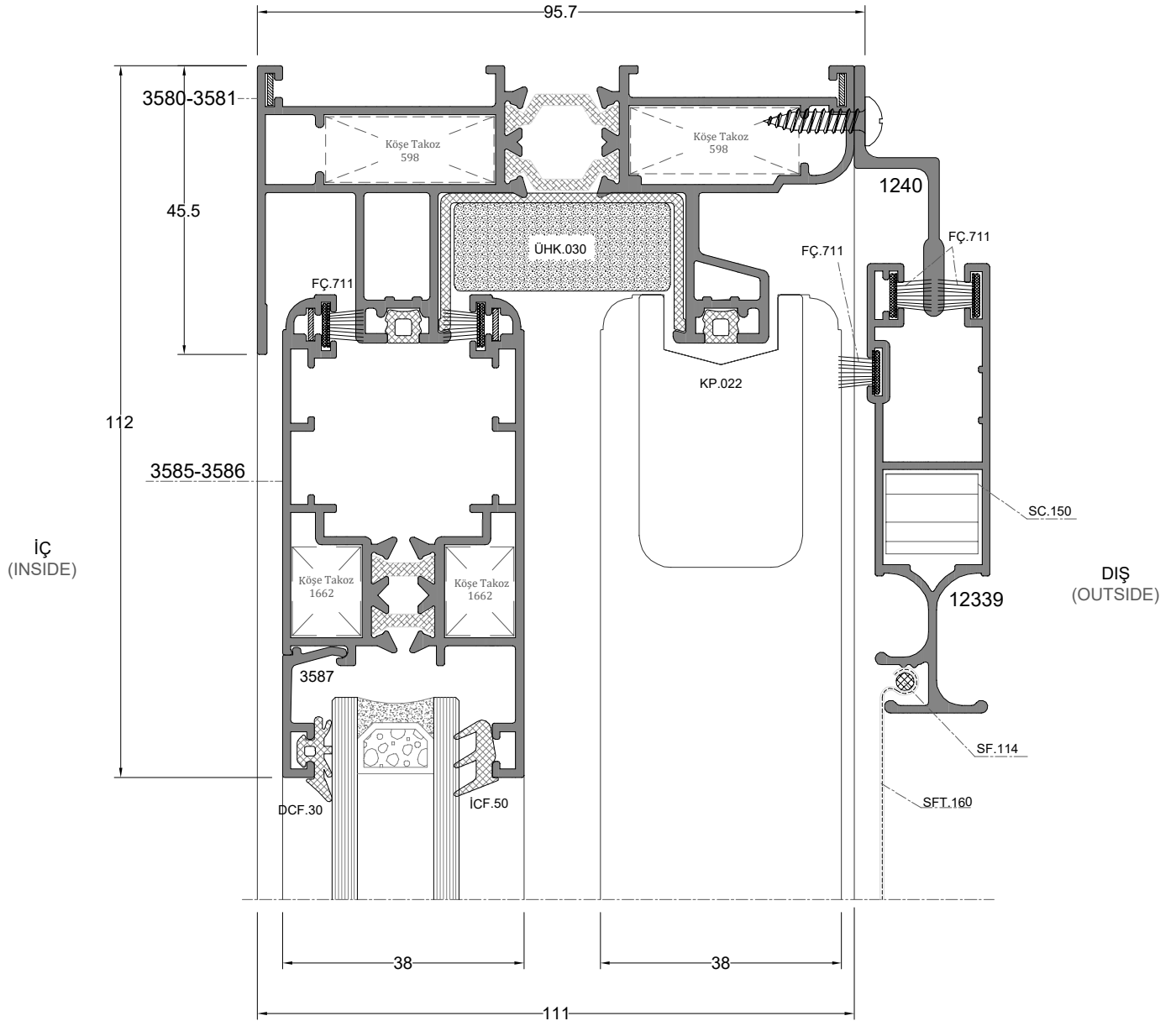
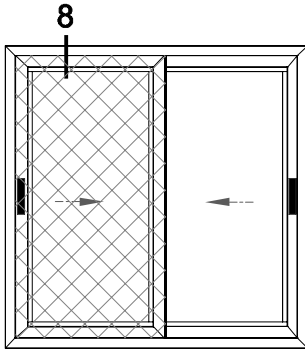
DIŞ
(OUTSIDE)

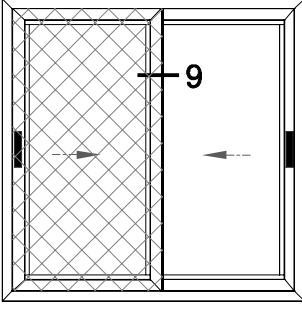
D-6



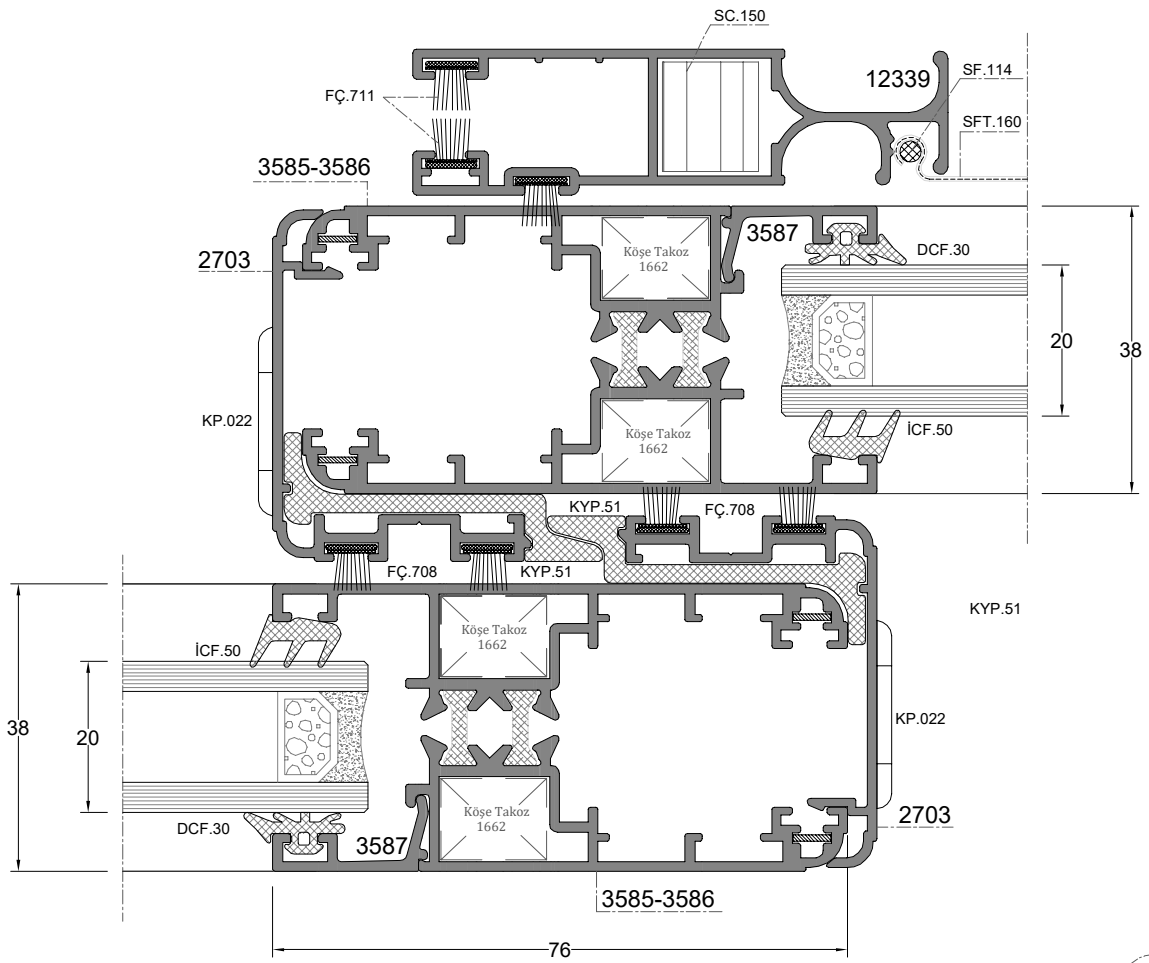
DIŞ
(OUTSIDE)

D-7



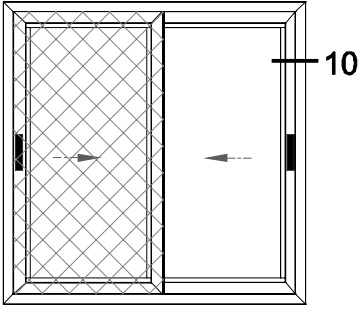


DIŞ
(OUTSIDE)



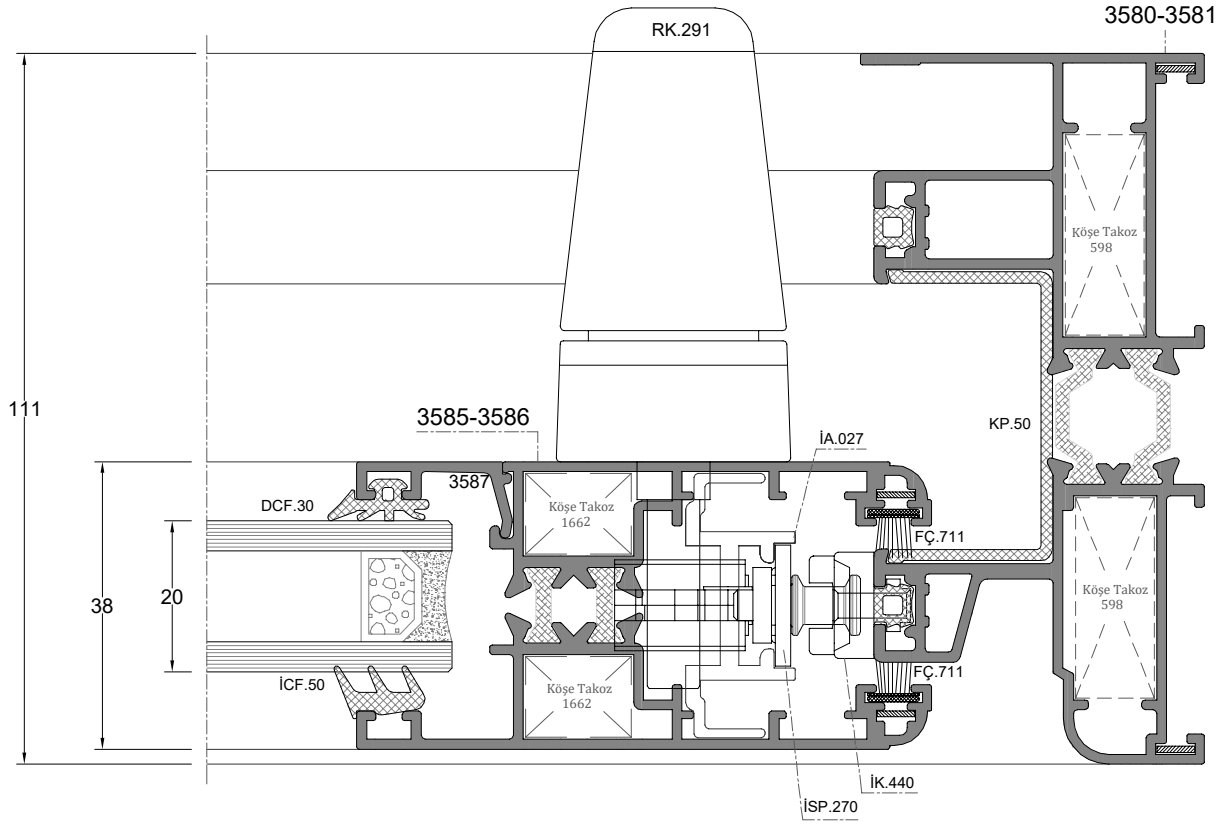
D-9

İÇ
(INSIDE)

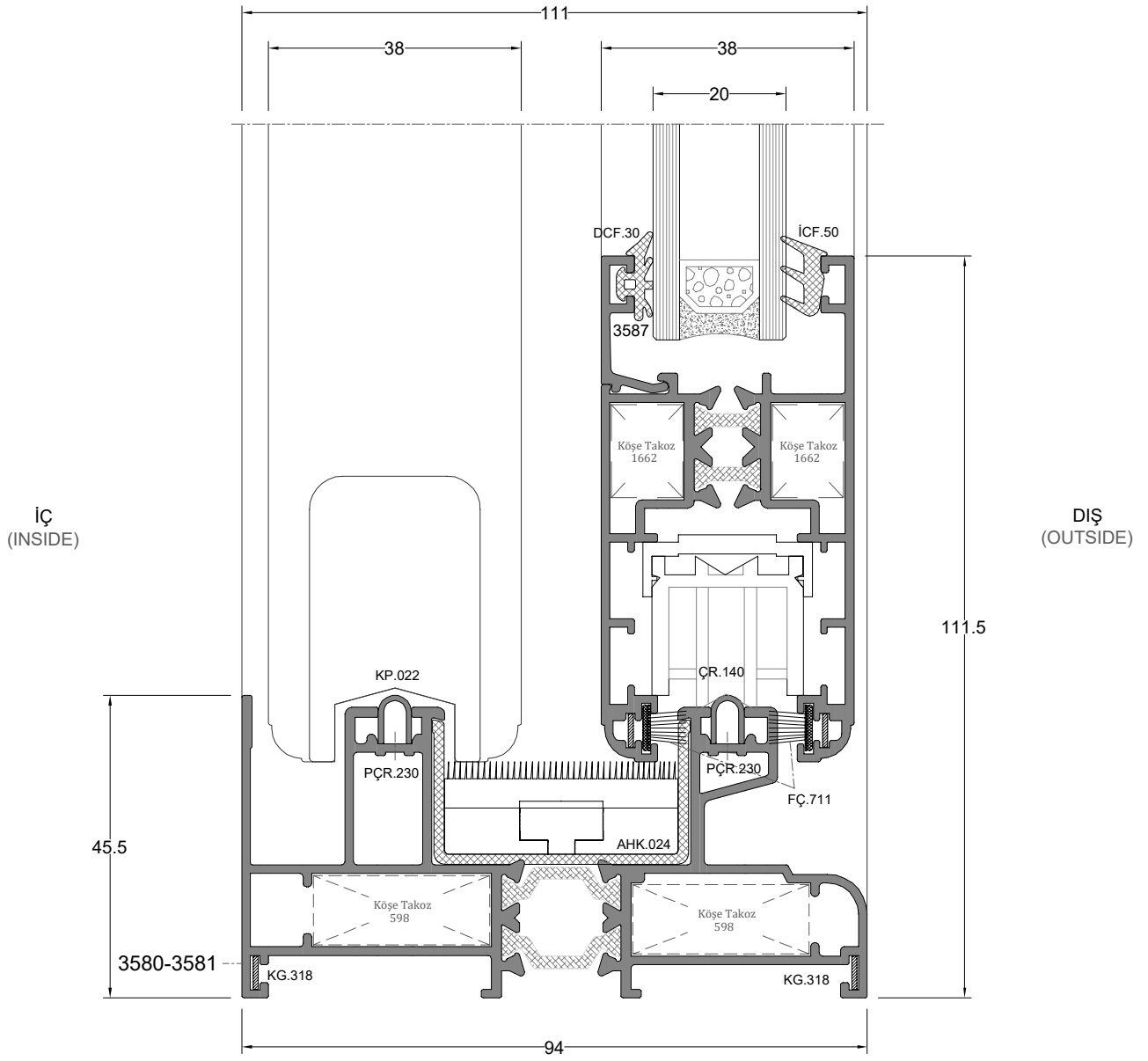
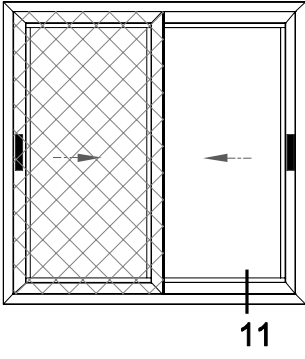


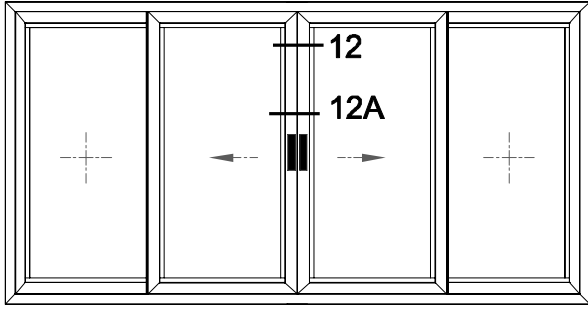
D-10

İÇ
(INSIDE)

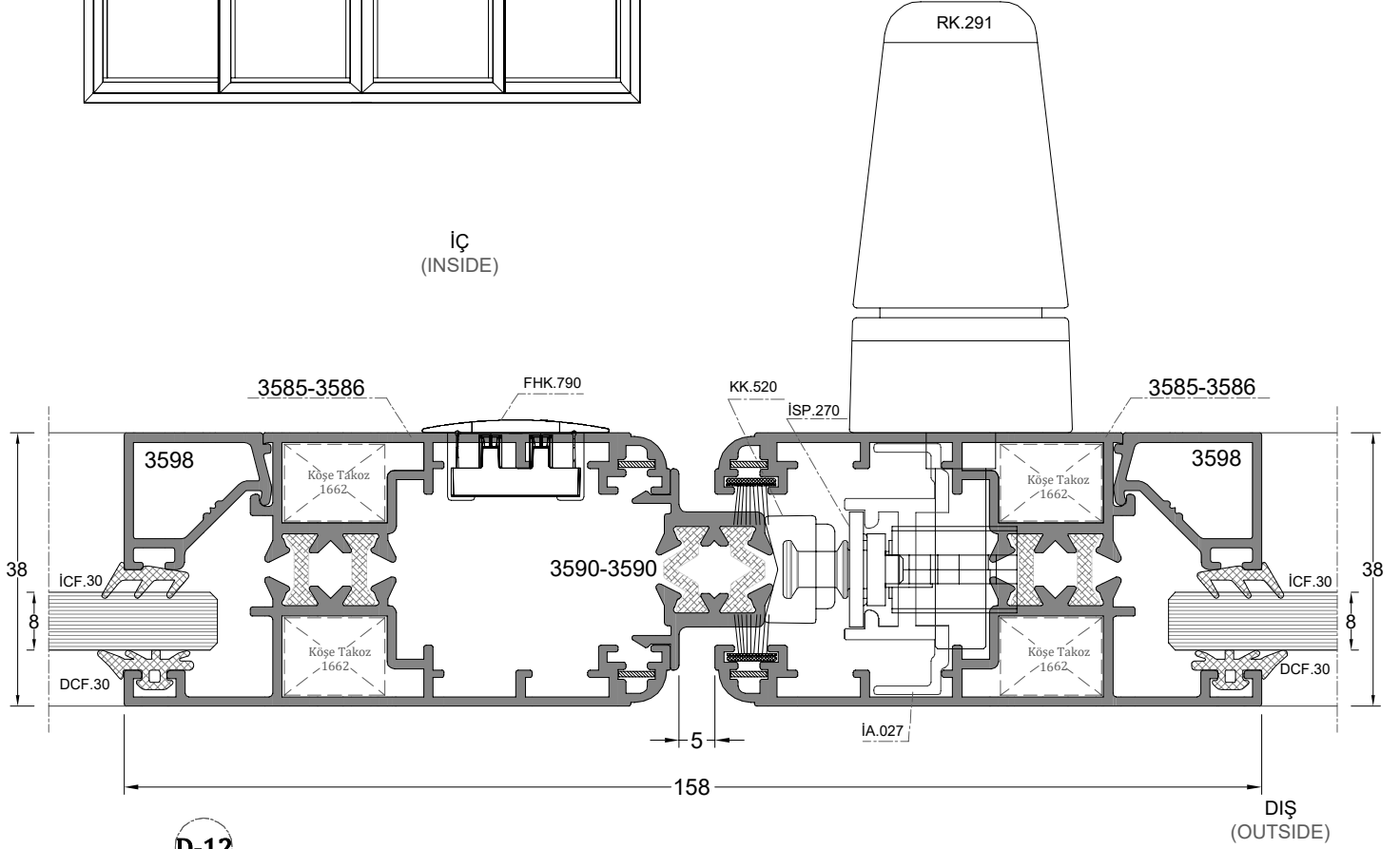


DIŞ
(OUTSIDE)



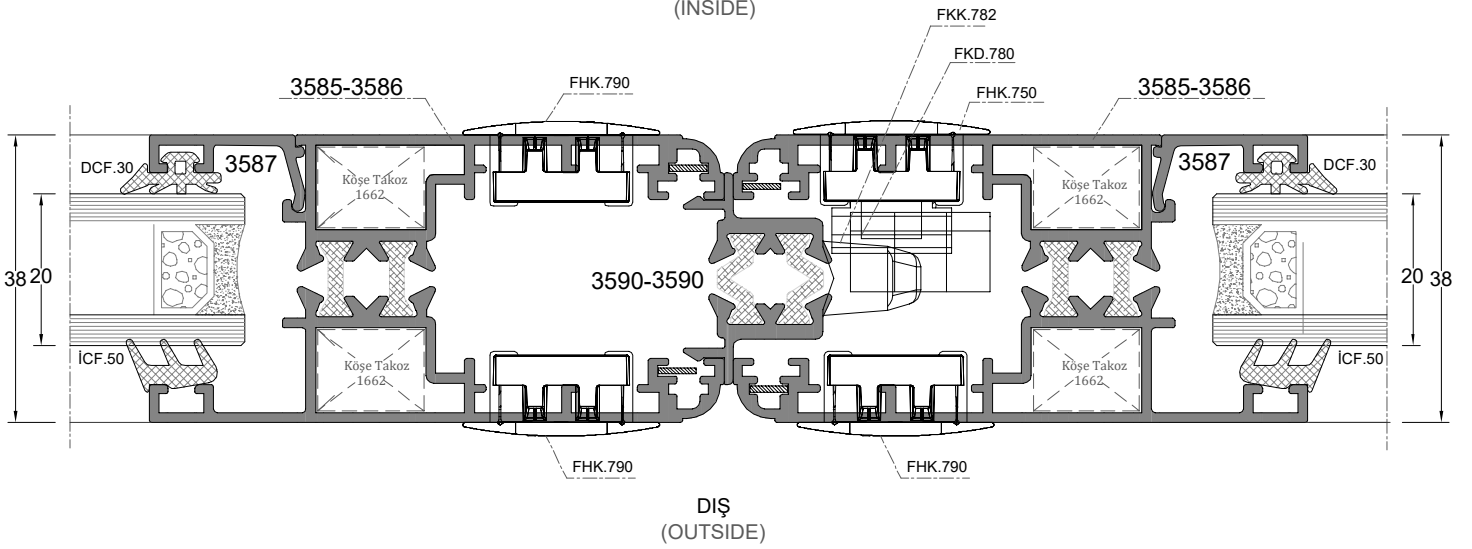


İÇ
(INSIDE)

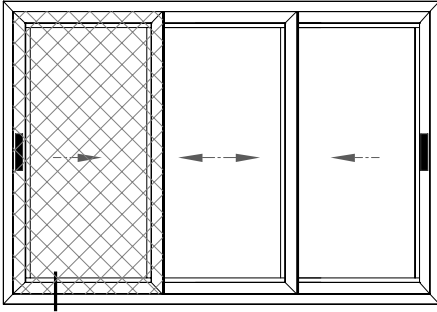


D-12

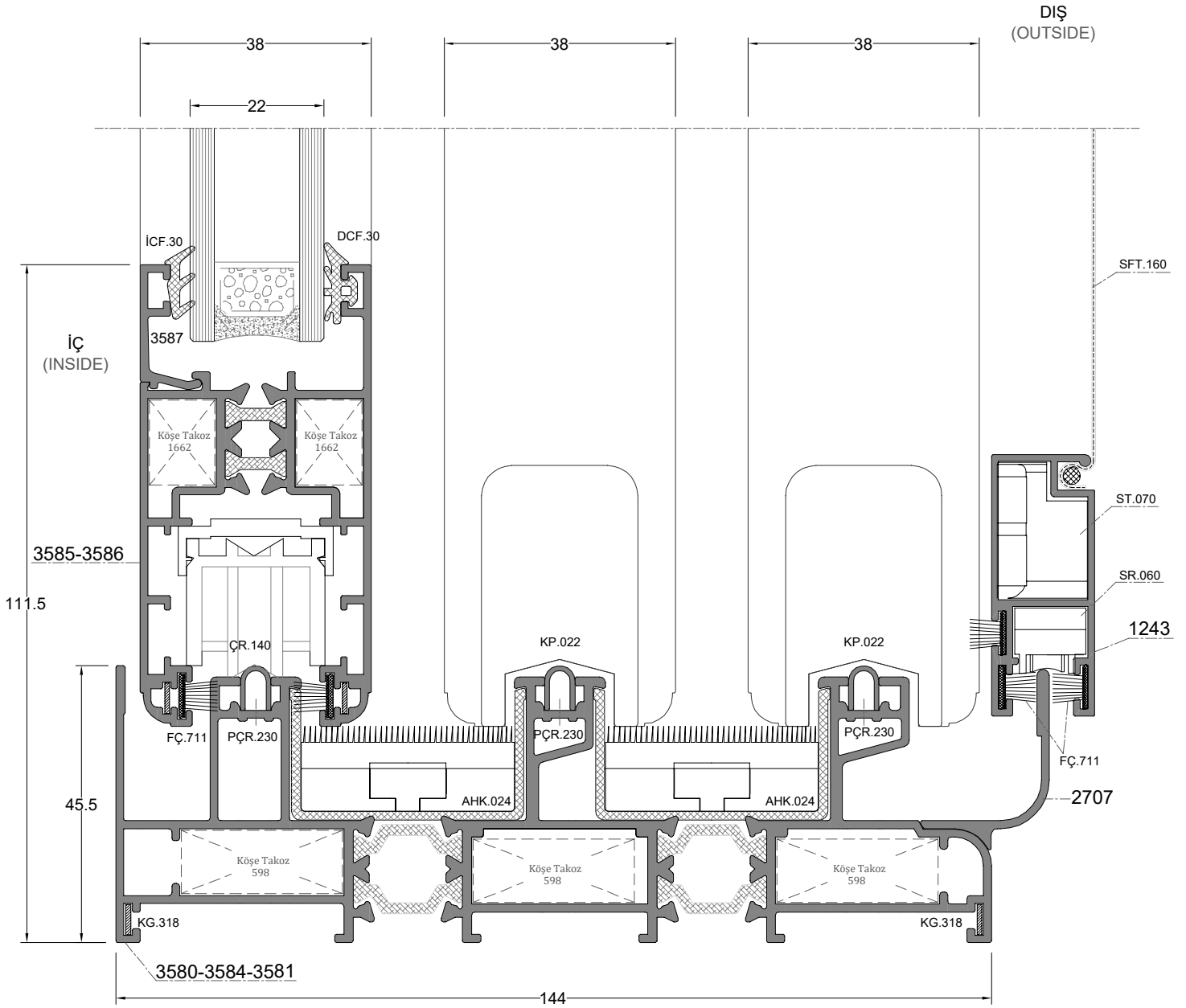
İÇ
(INSIDE)



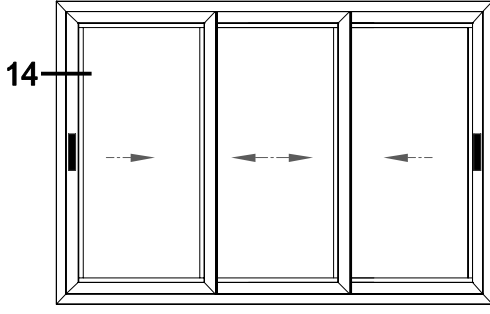
D-12A



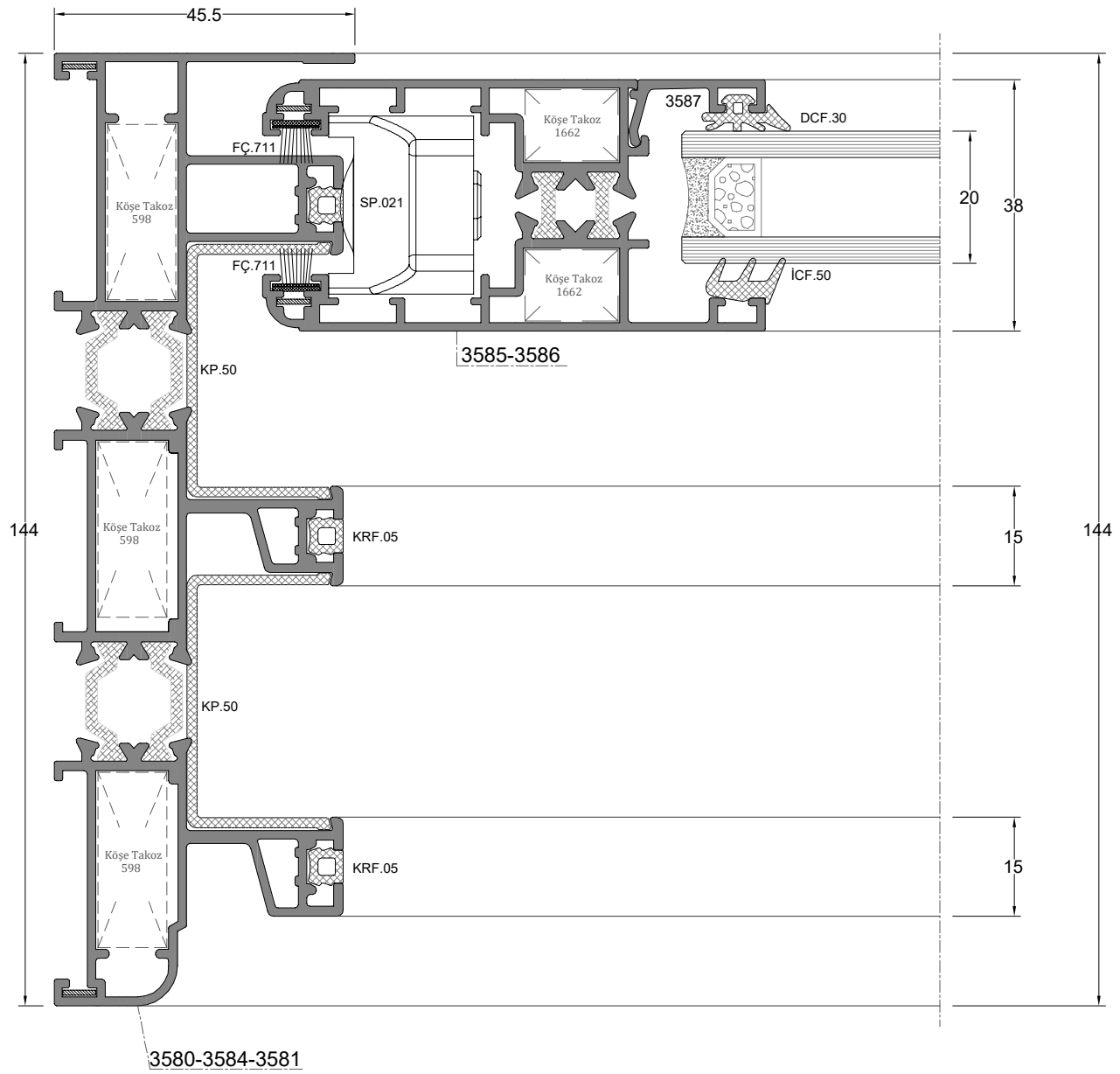
13A



D-13A

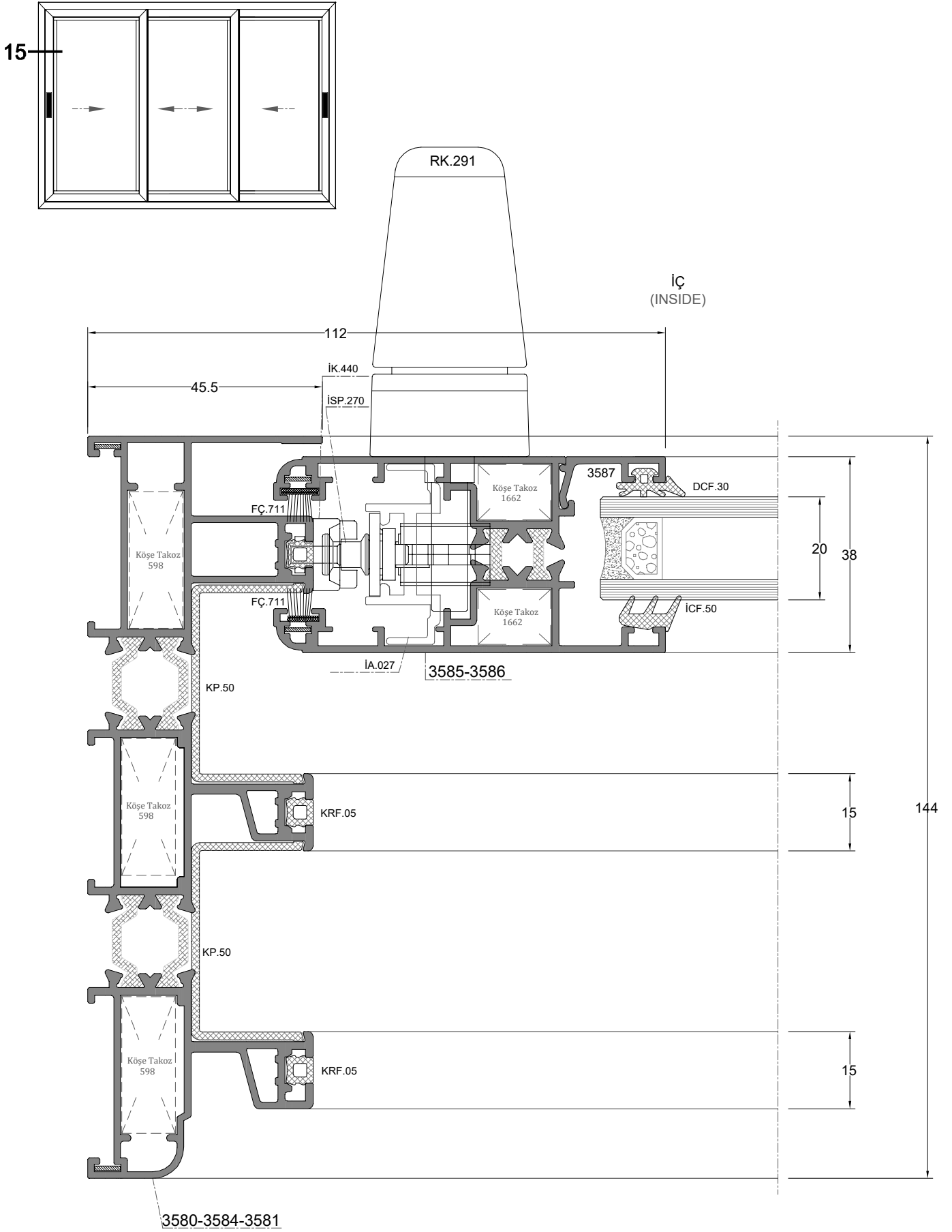


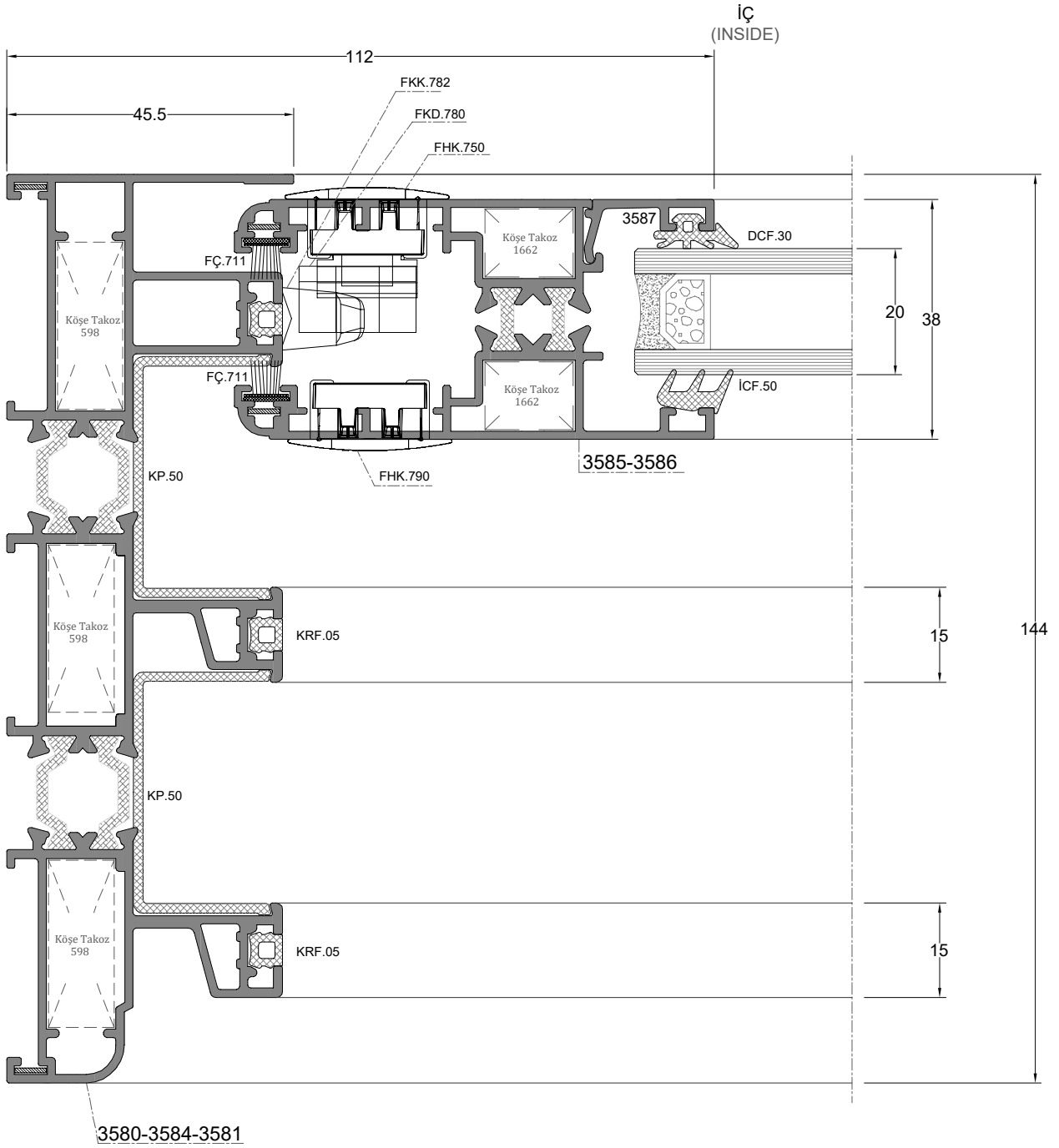
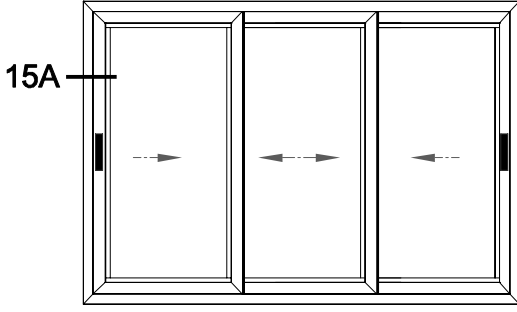
İÇ
(INSIDE)

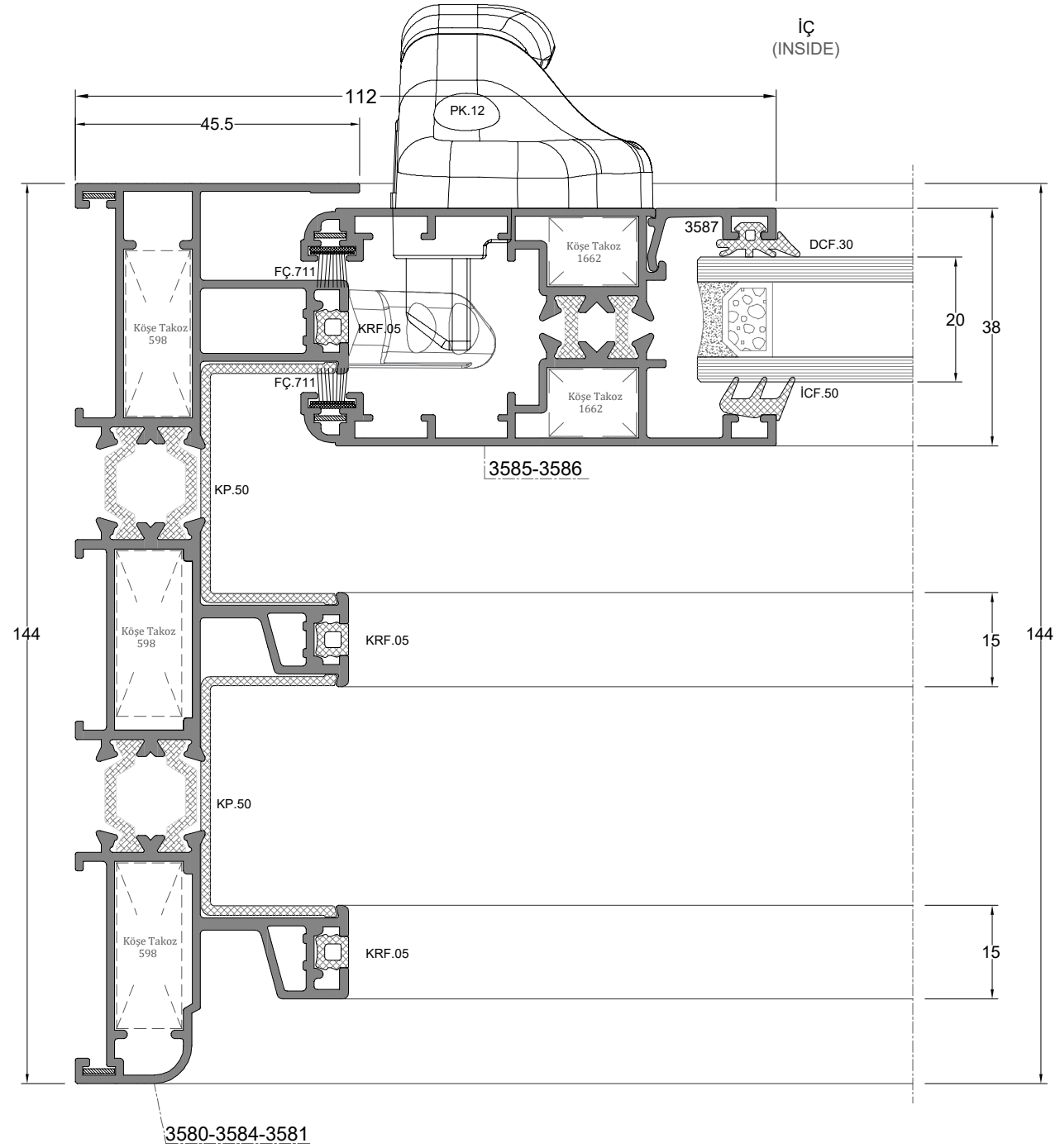
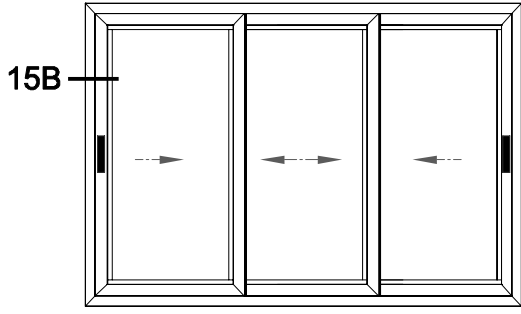


DIŞ
(OUTSIDE)

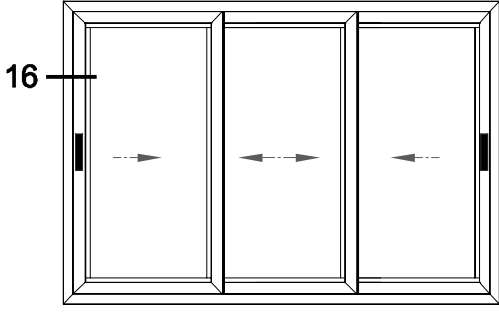
D-14



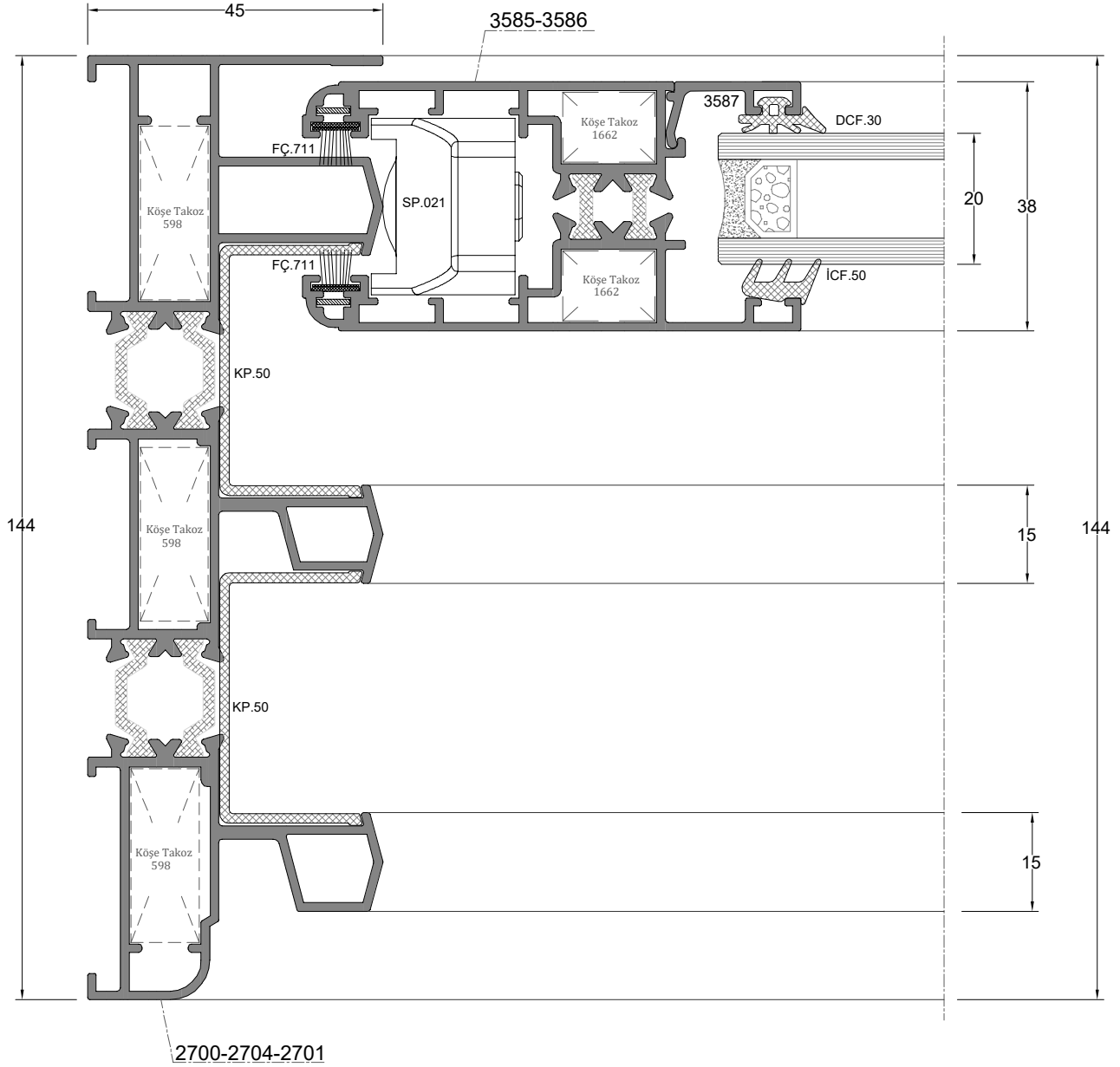




D-15B

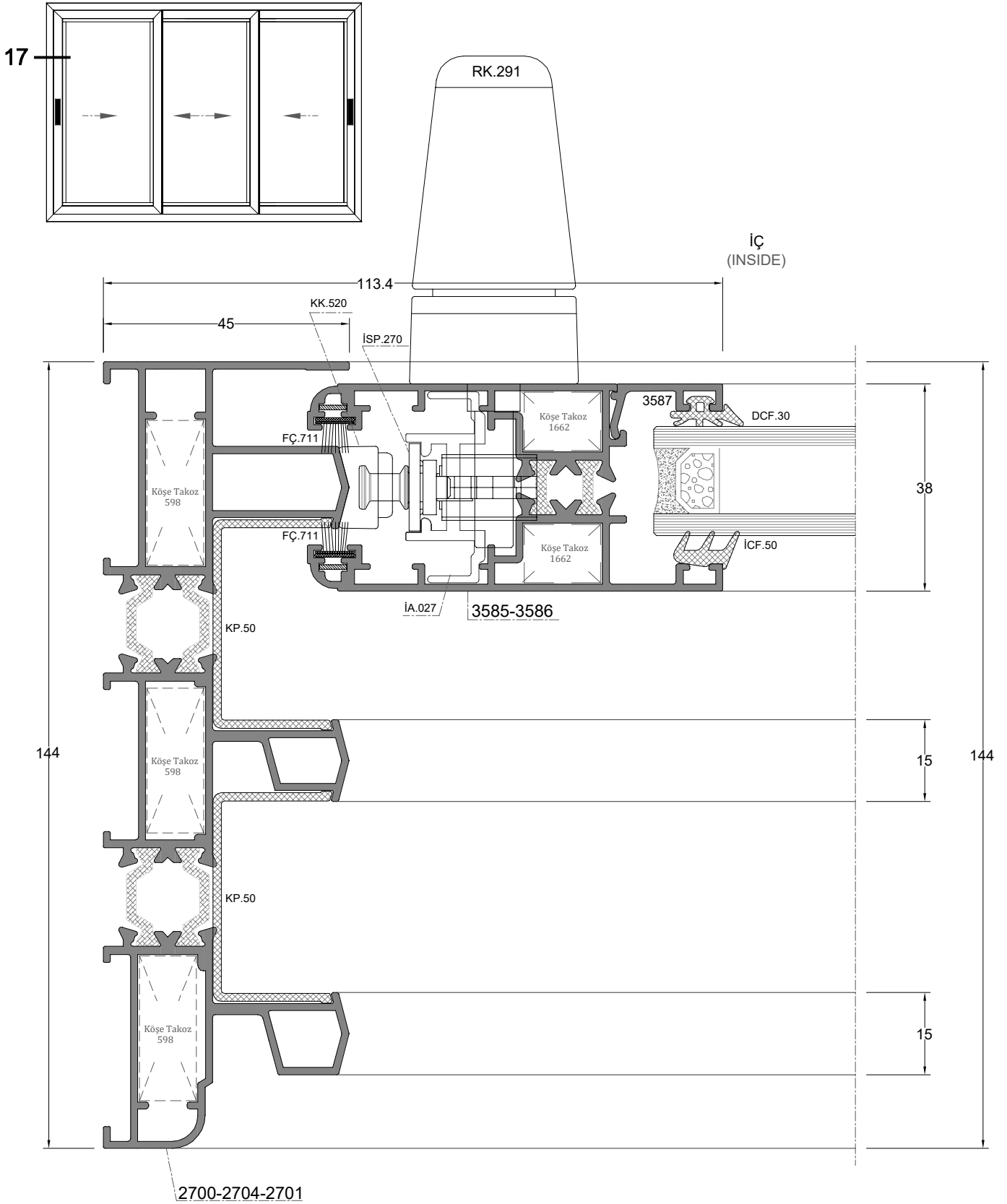


İÇ
(INSIDE)



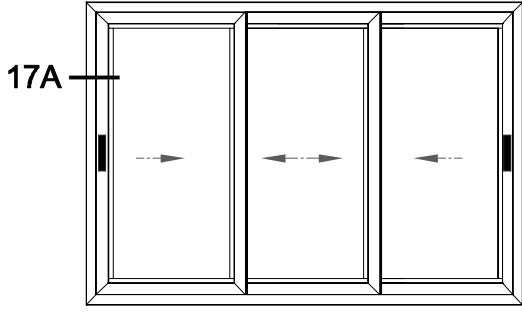
DIŞ
(OUTSIDE)

D-16

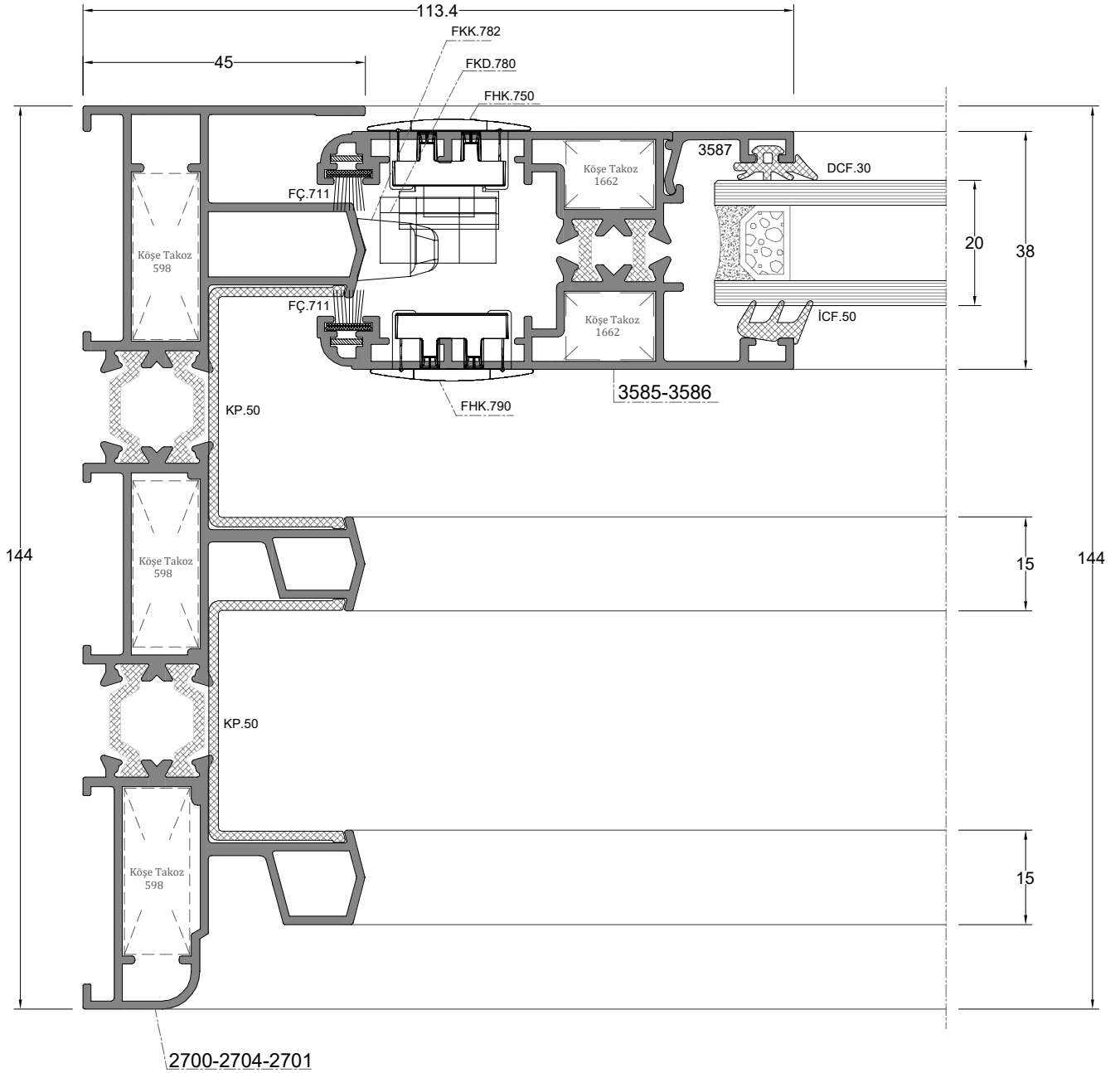


DIŞ
(OUTSIDE)

D-17



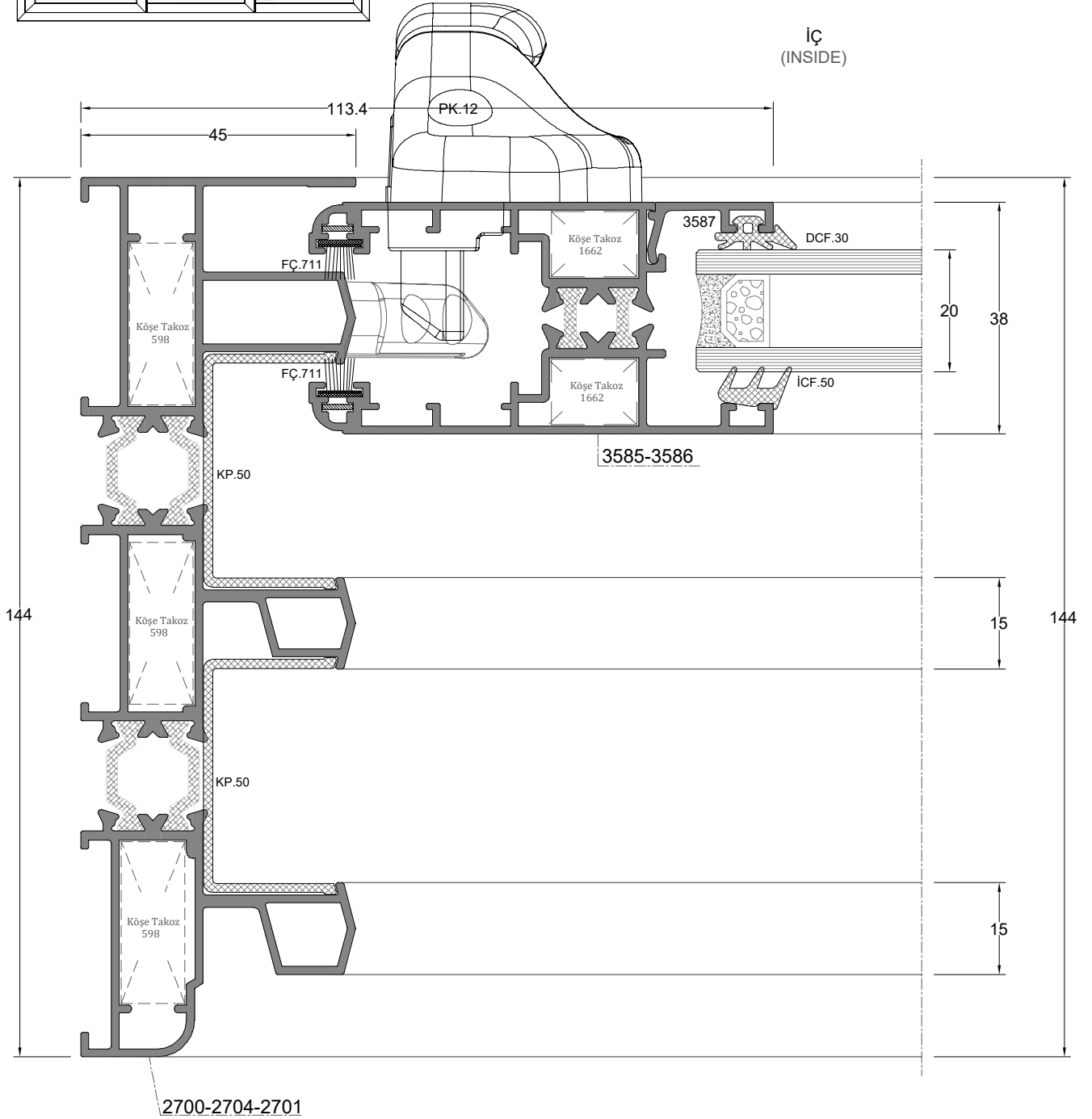
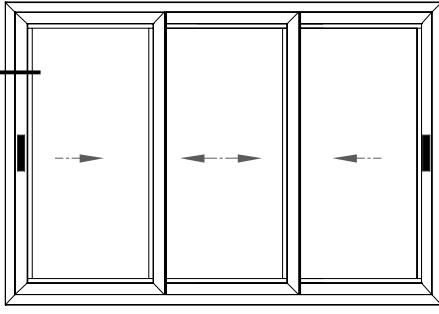
İÇ
(INSIDE)



DIŞ
(OUTSIDE)

D-17A

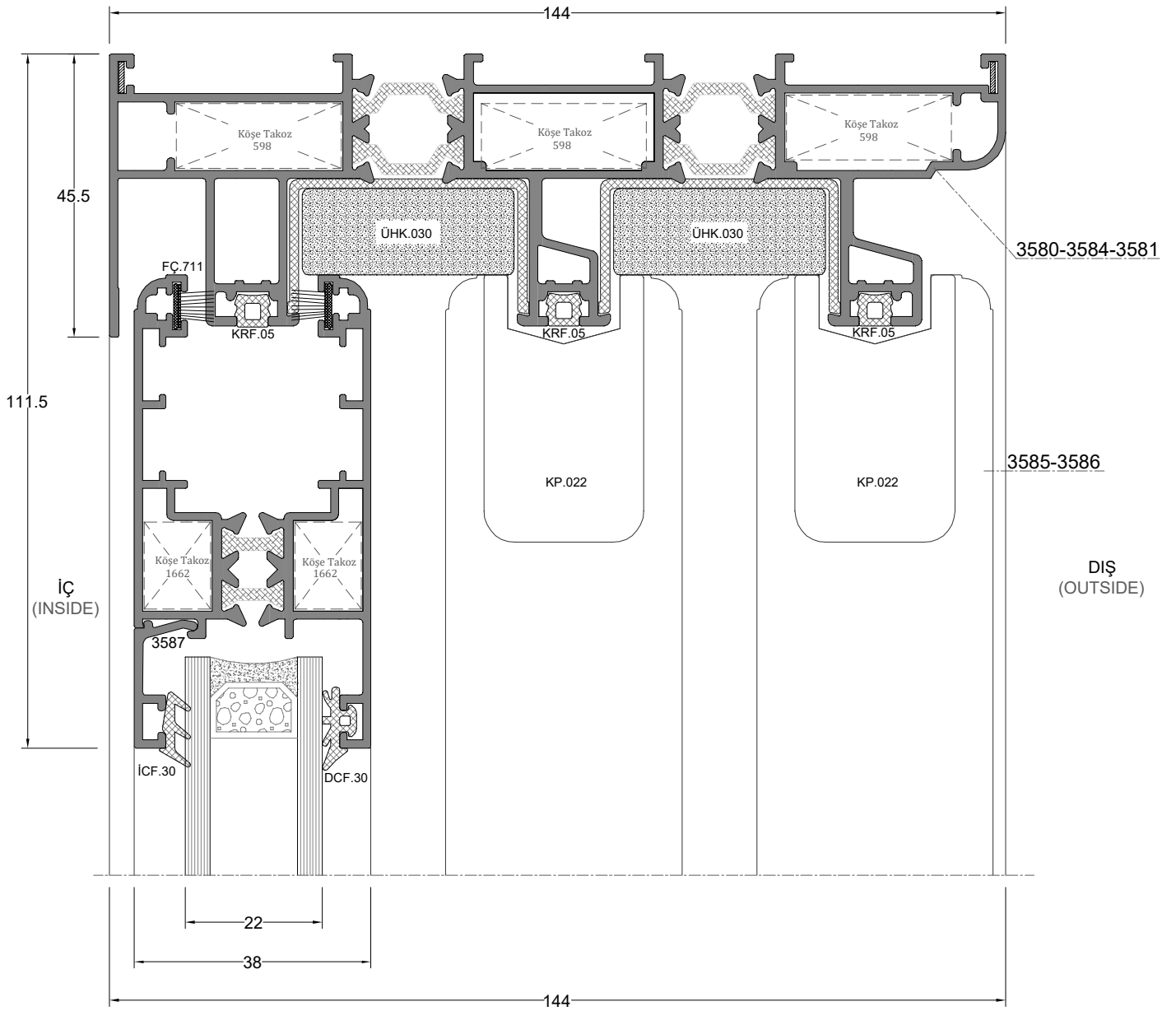
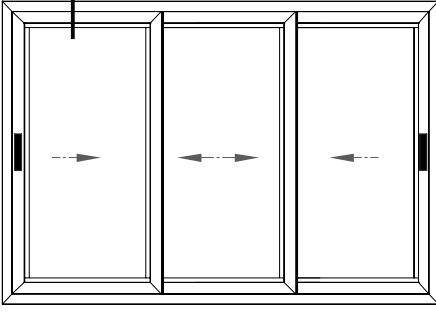
17B



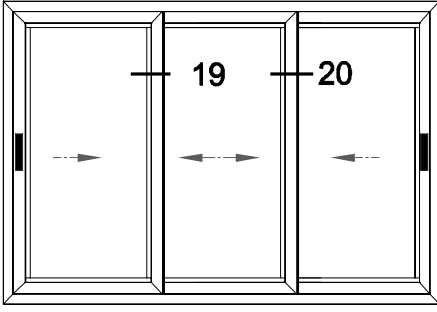
DIŞ
(OUTSIDE)

D-17B

18



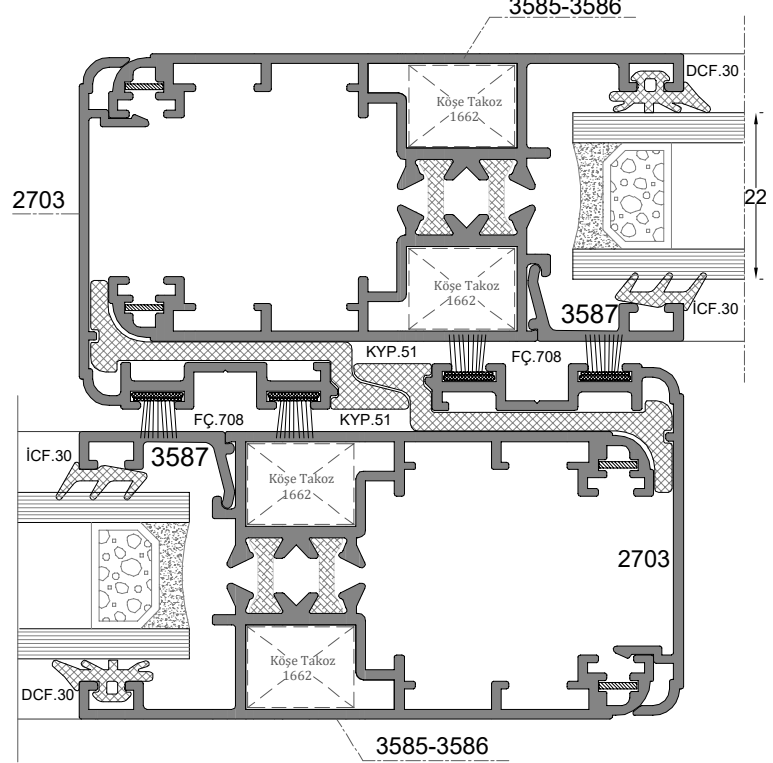
D-18



D-20

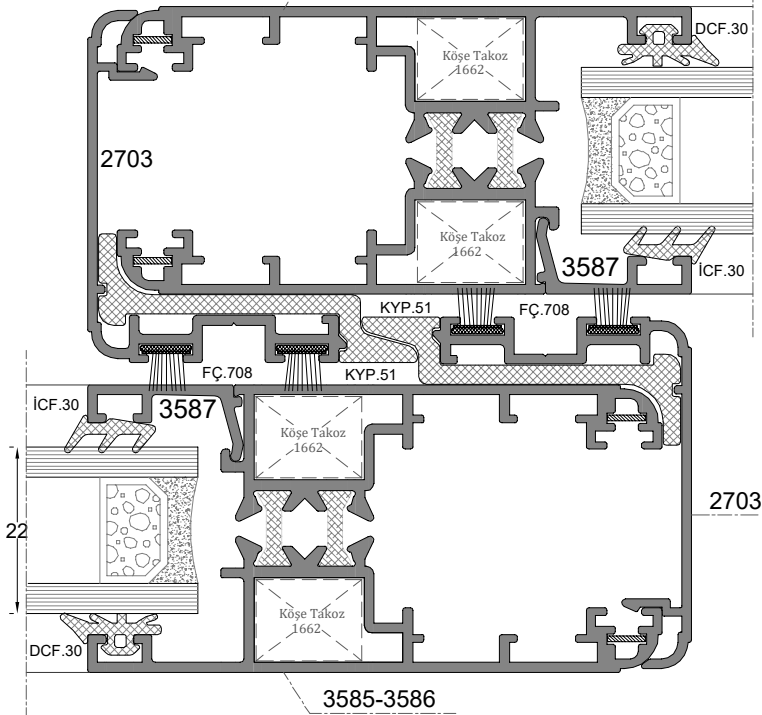
İÇ
(INSIDE)

3585-3586

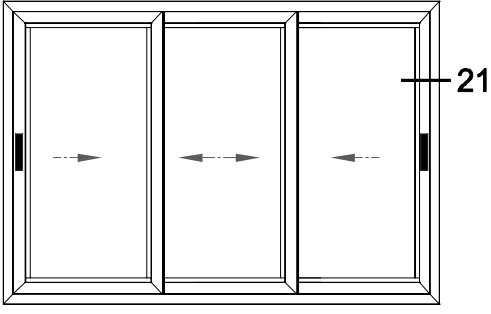


D-19

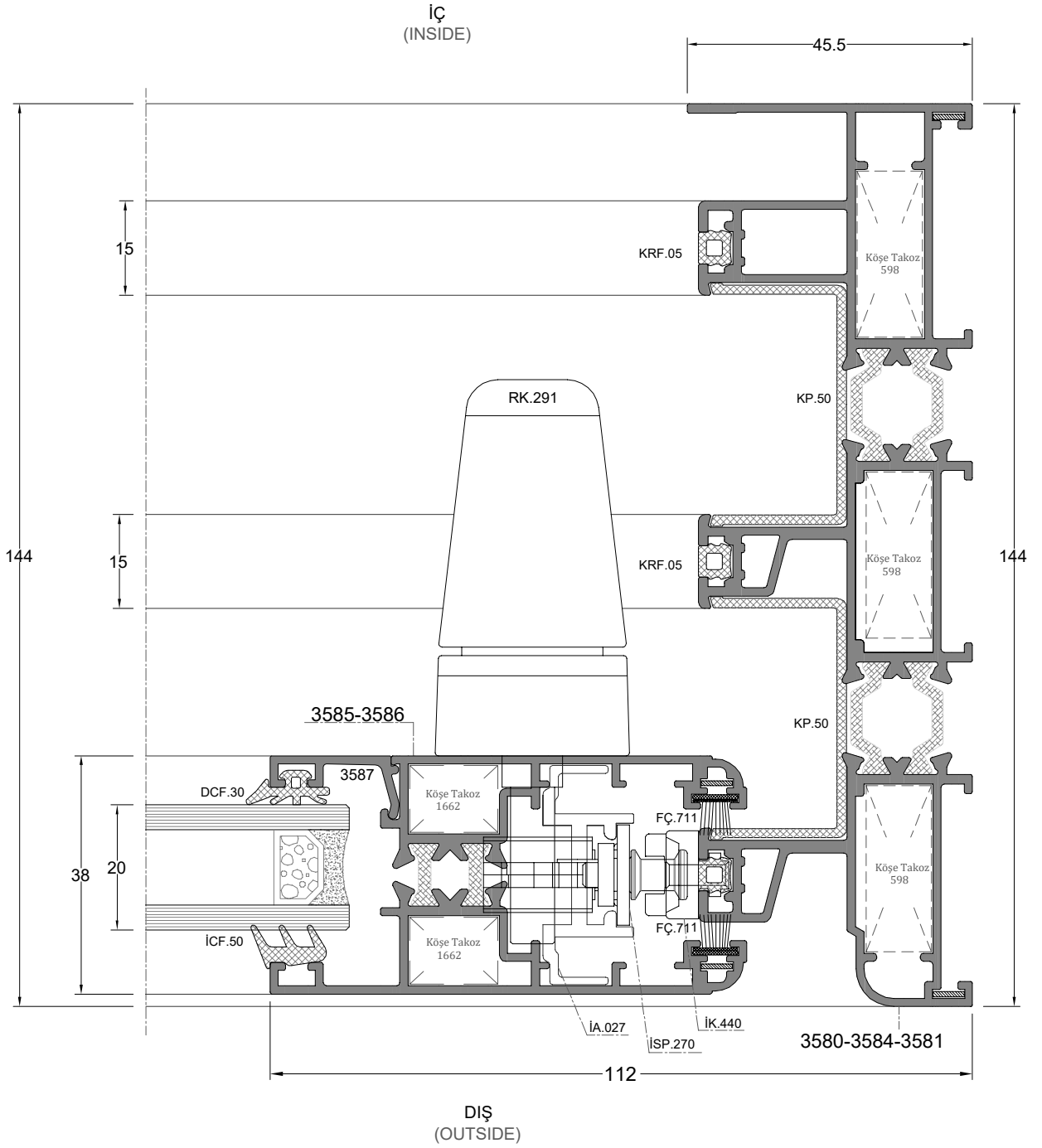
3585-3586

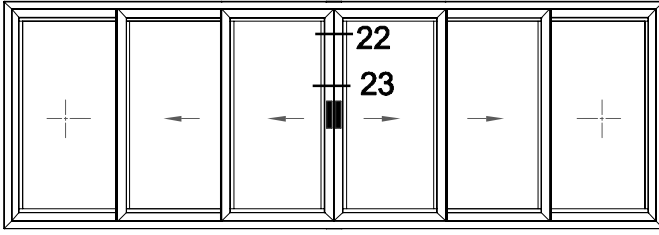


DIŞ
(OUTSIDE)



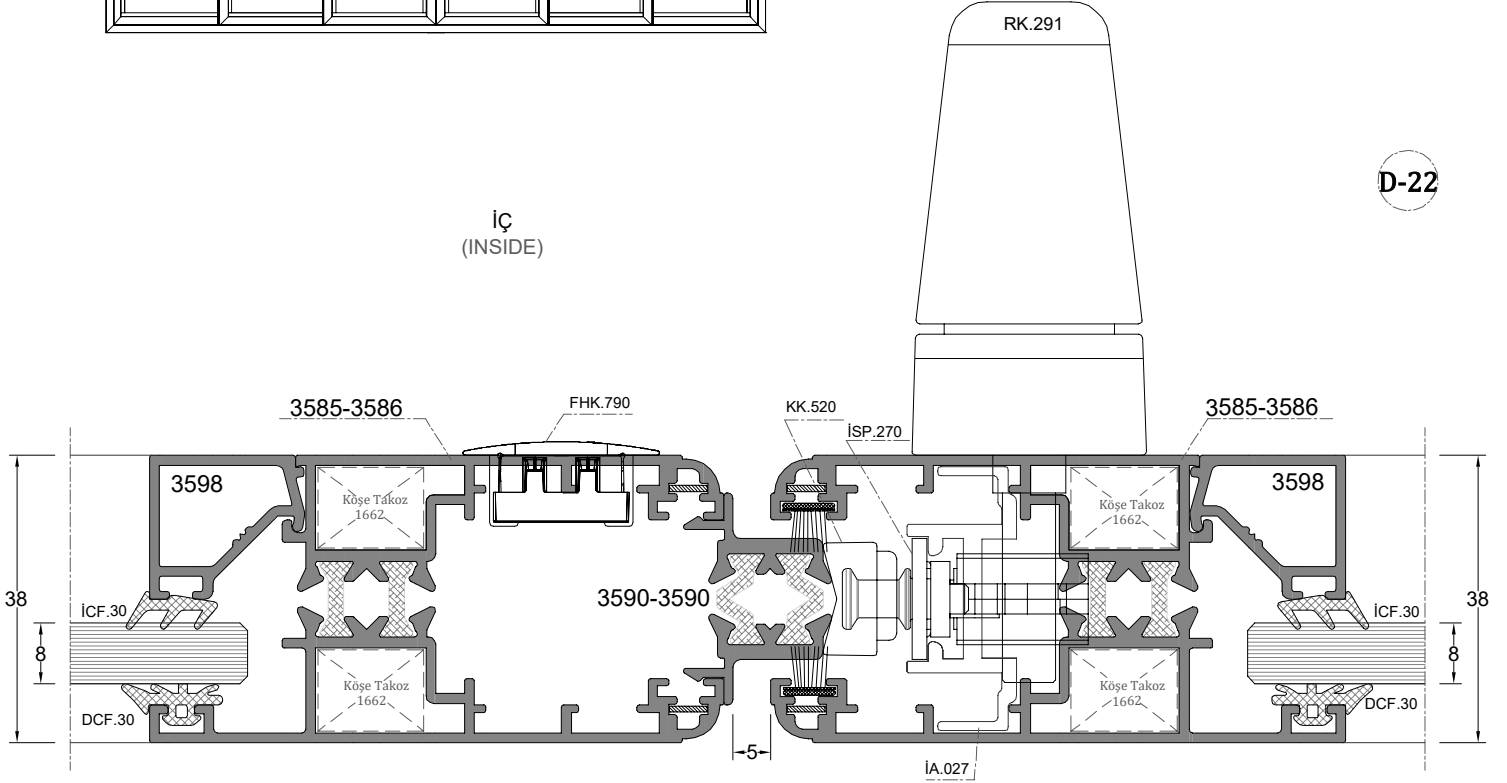
D-21





İÇ
(INSIDE)

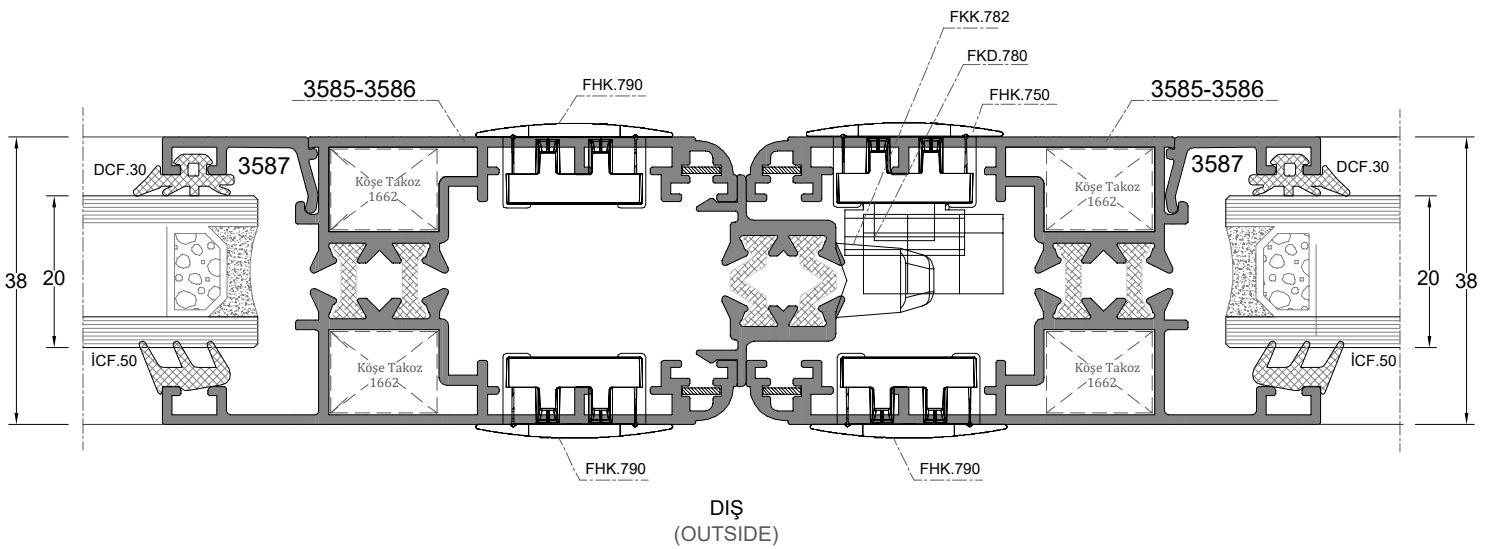
D-22



D-12

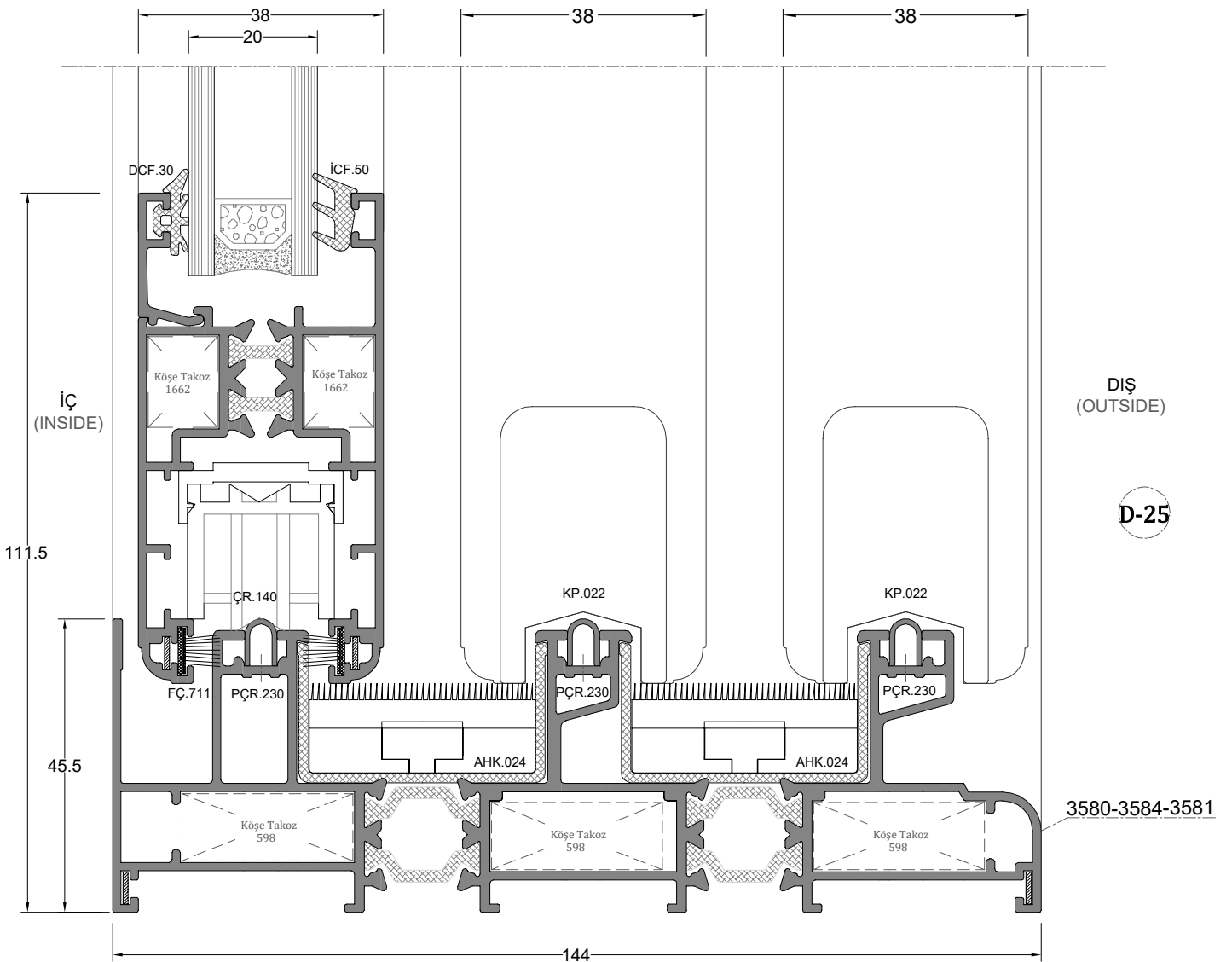
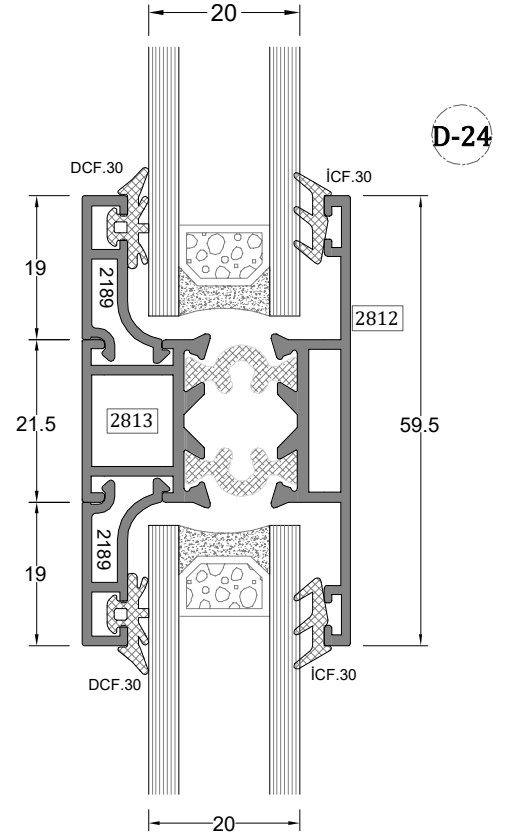
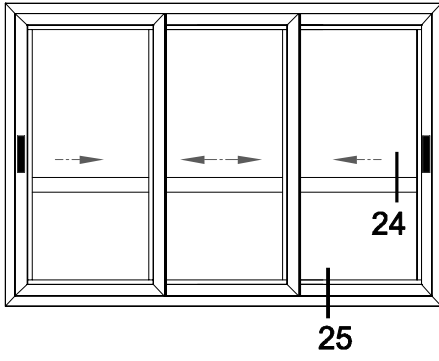
İÇ
(INSIDE)

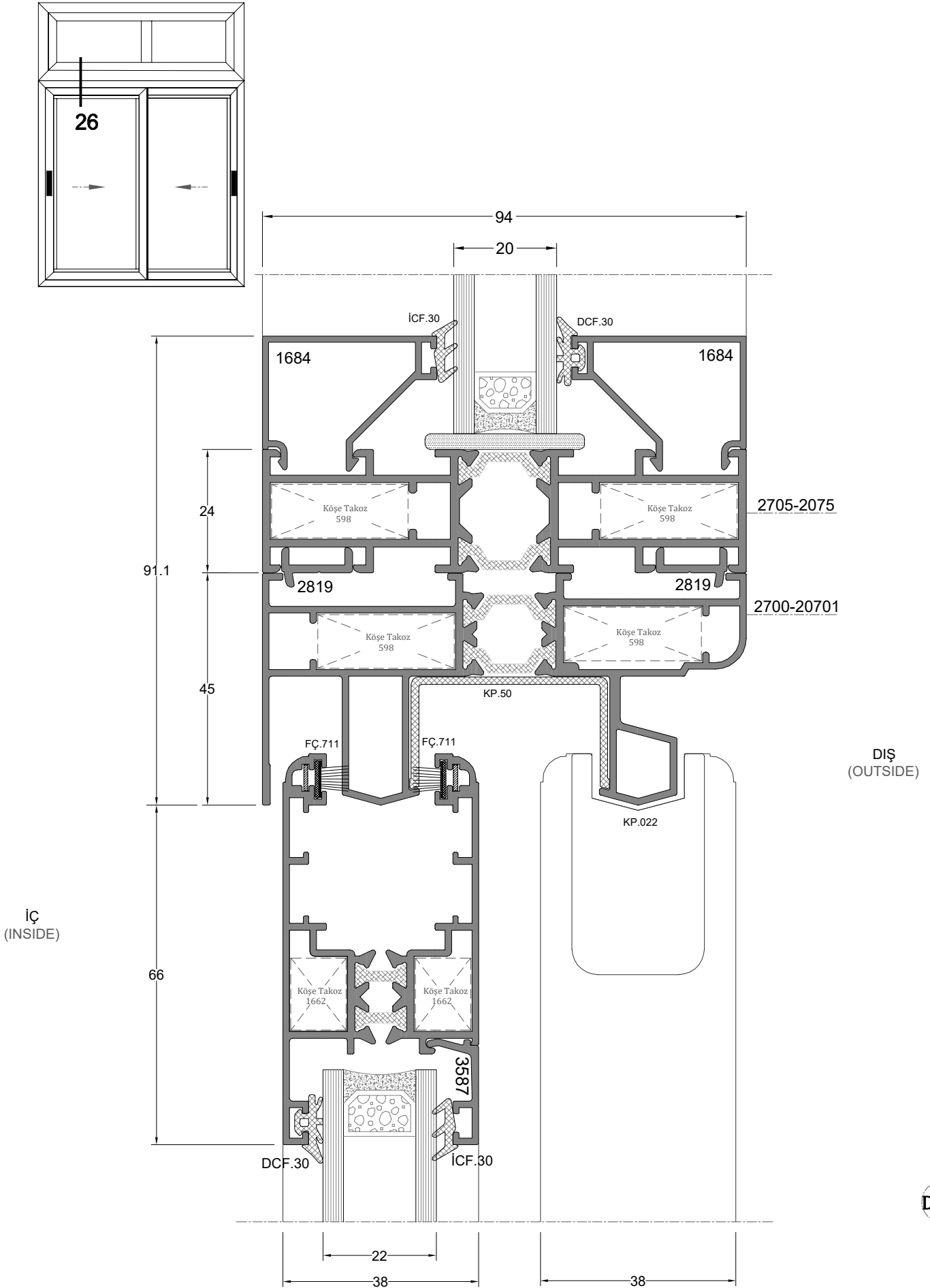
DIŞ
(OUTSIDE)

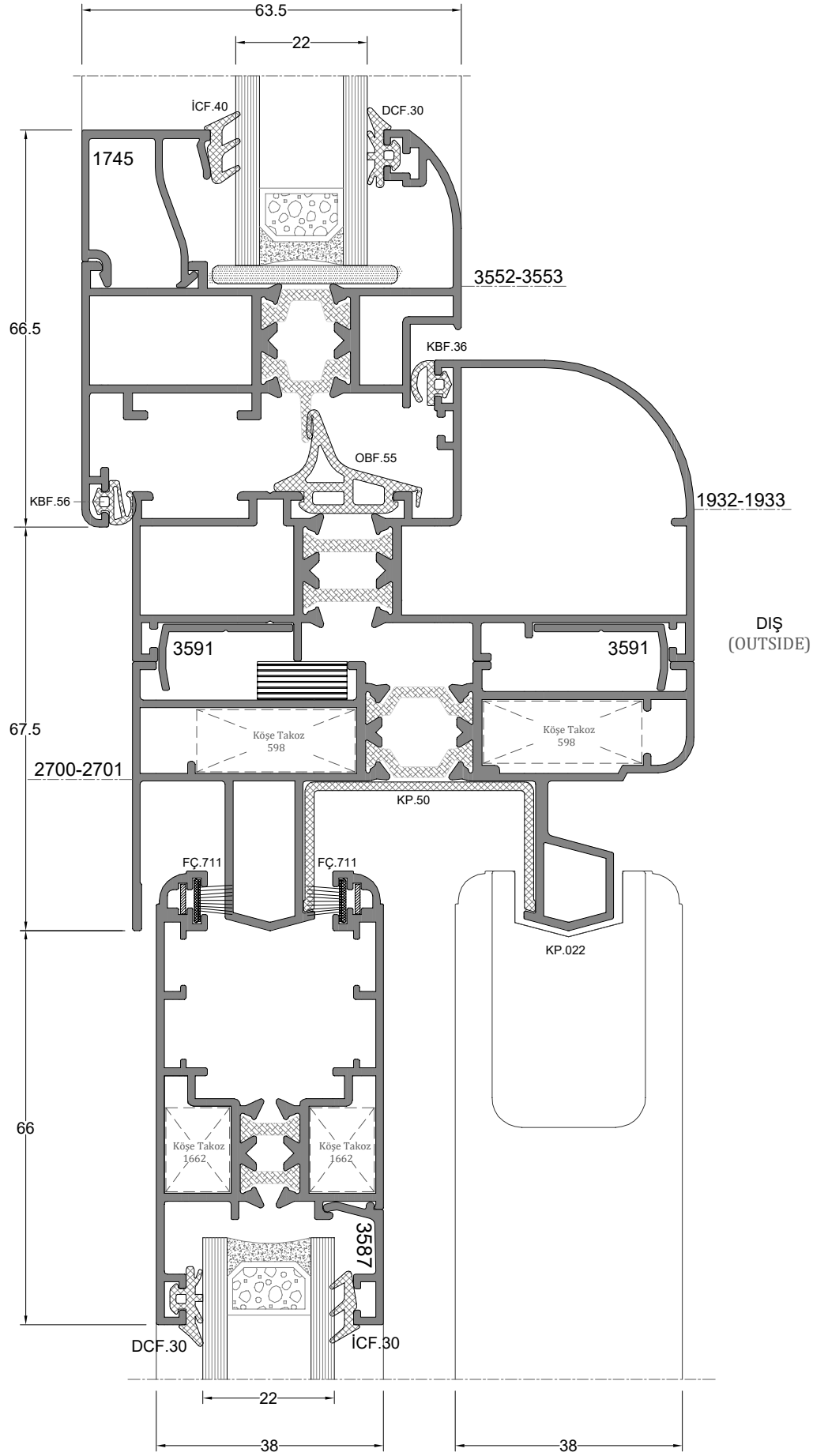
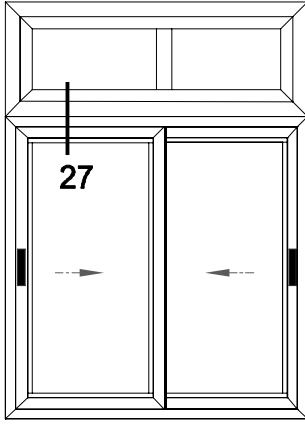


DIŞ
(OUTSIDE)

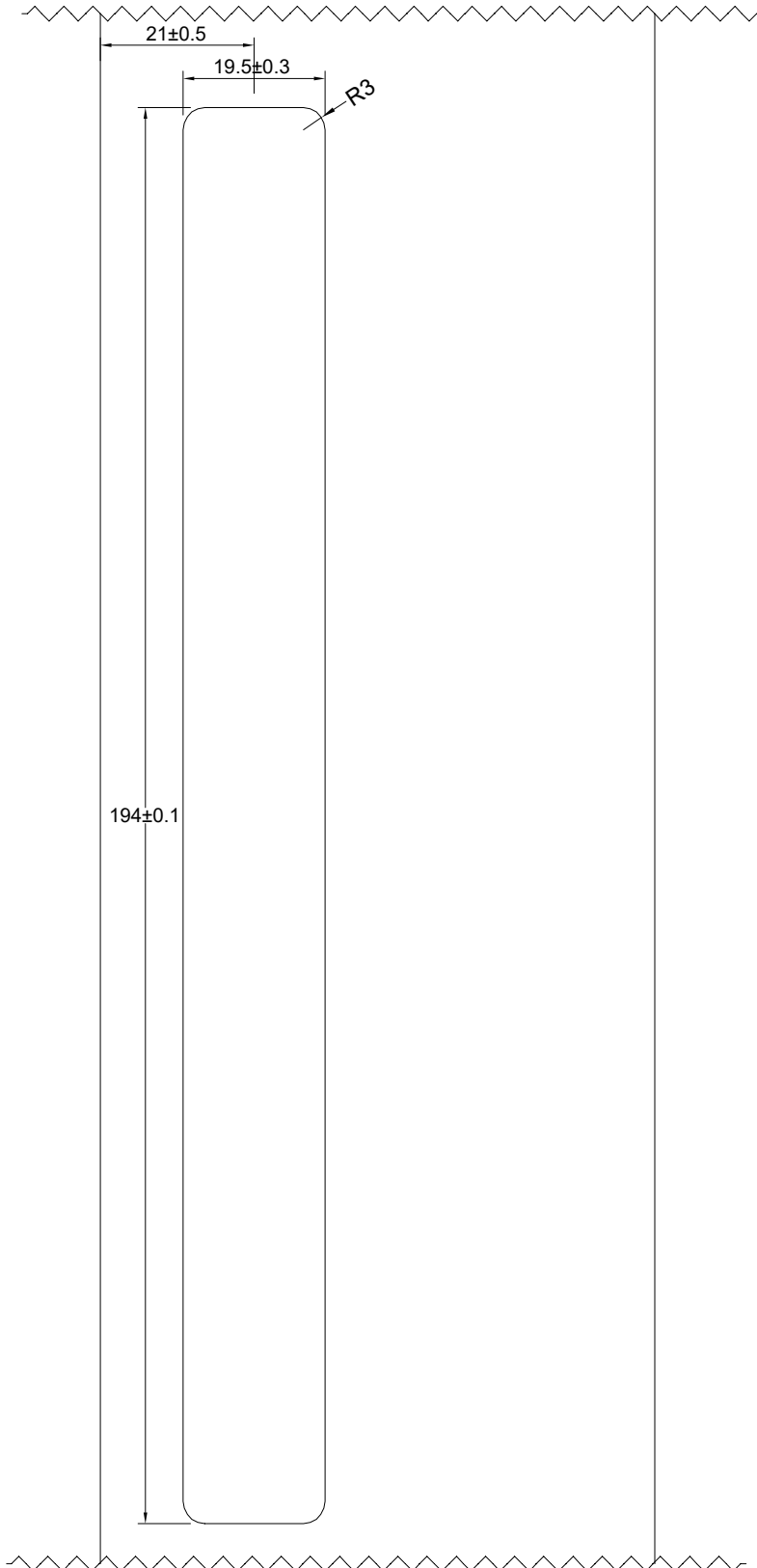
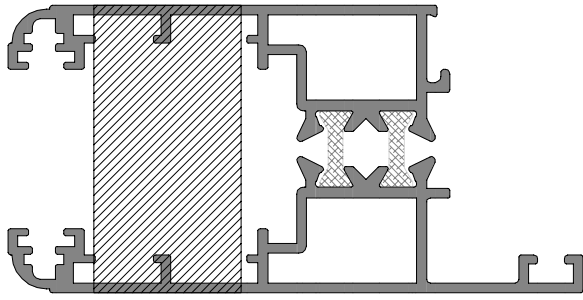
D-23



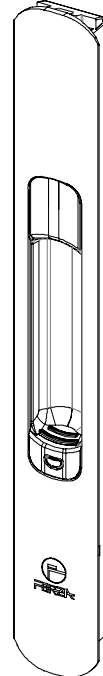




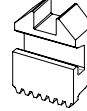
D-27



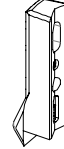
FKH.750



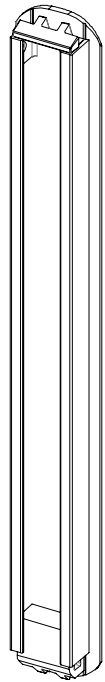
FKD.780

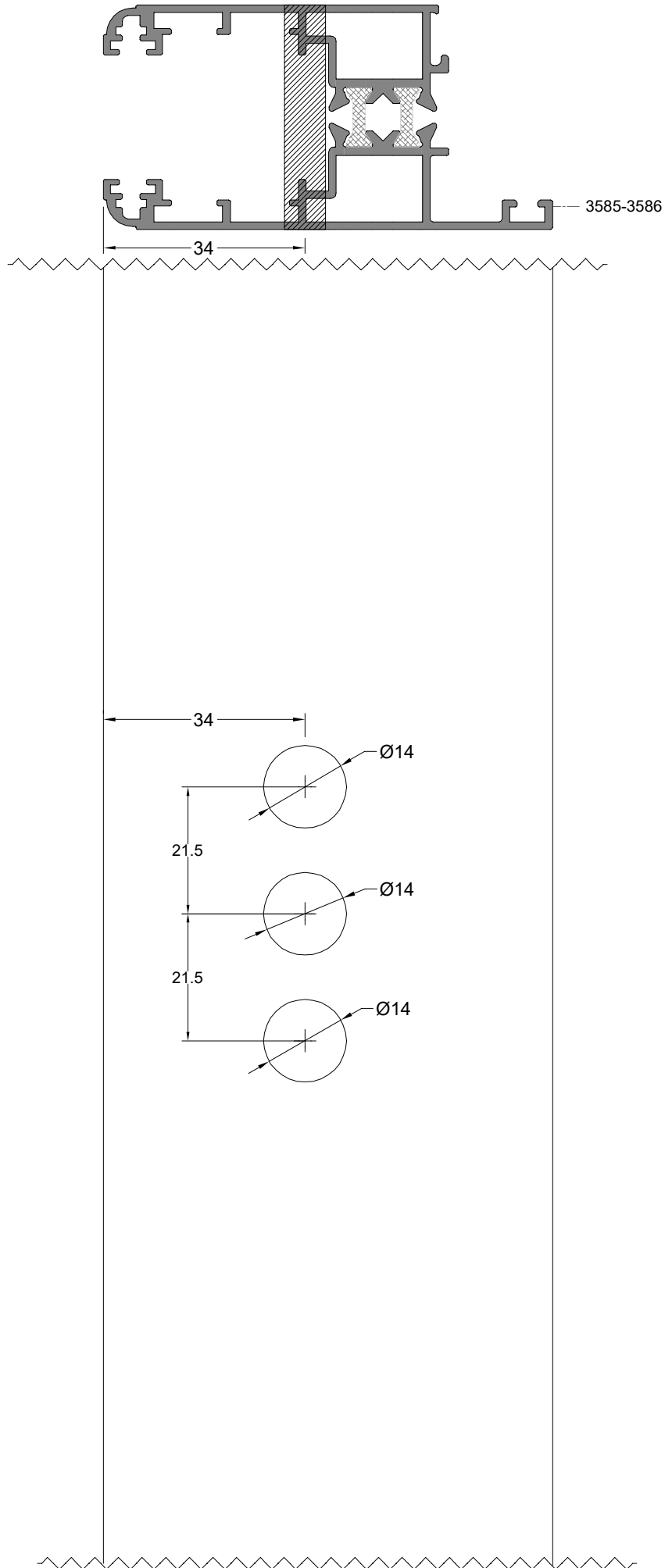


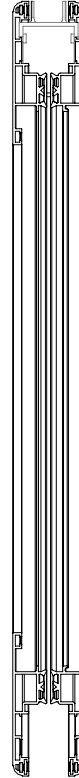
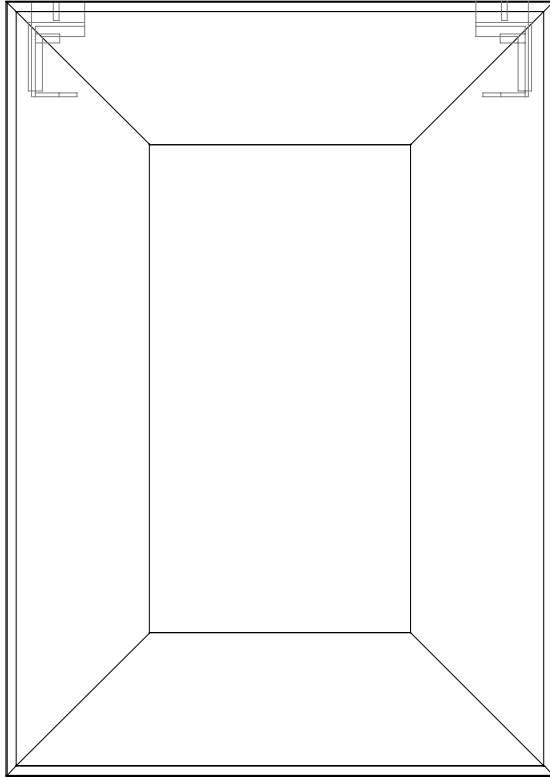
FKK.782



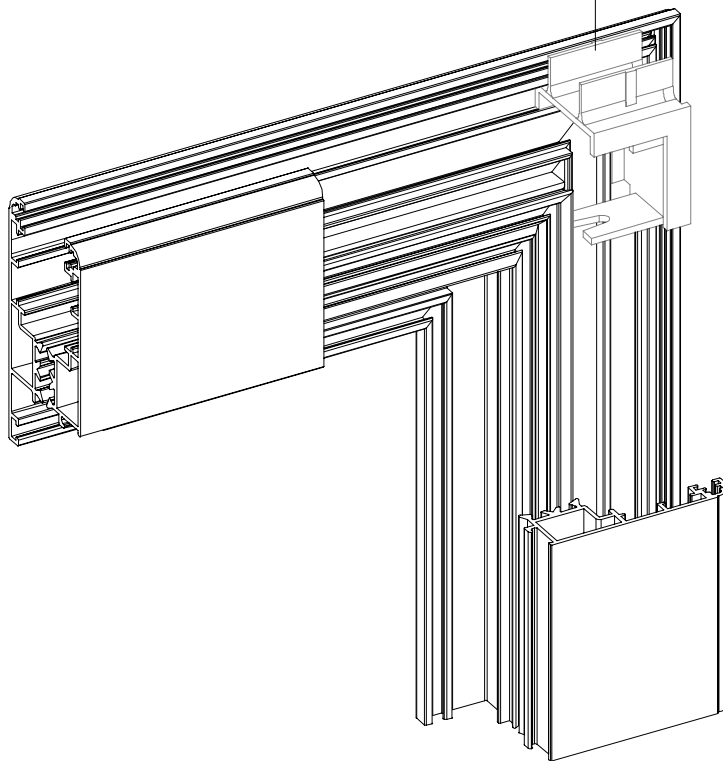
FPK.790

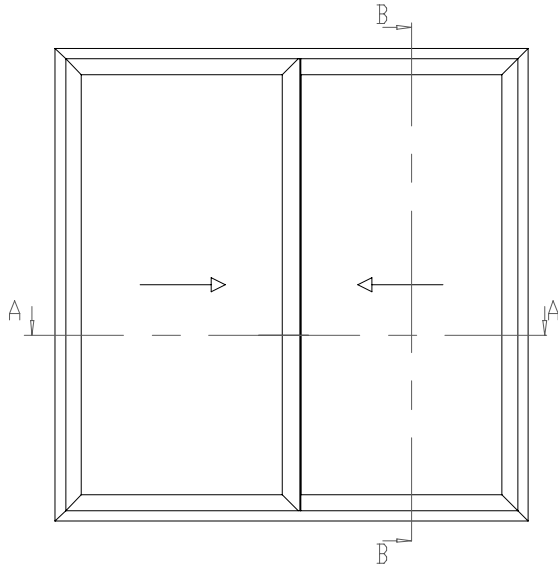




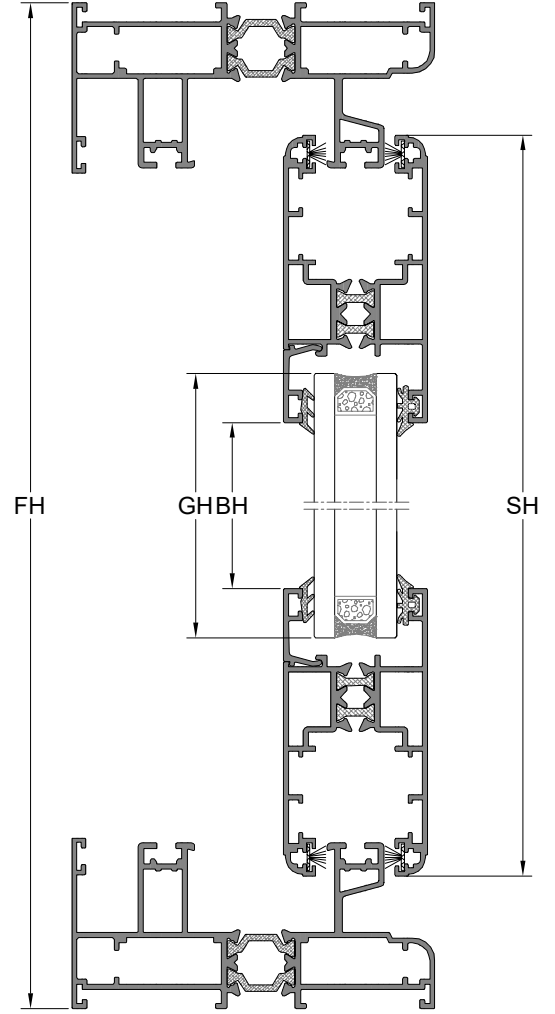


SPC.408





B-B KESİTİ



PROFİLLER / PROFILES

Kod Code	Çizim Drawing	Kesim Cut	Miktar Quantity	Ölçüler Dimensions
5846-3581 Kasa Frame			2 Pcs / Adet	FL
			2 Pcs / Adet	FH
3585-3586 Kanat Sash			4Pcs / Adet	$SL = (FL/2)+3$
			4Pcs / Adet	$SH = FH-71$
3587 Çita Bead			4Pcs / Adet	$BL = SL - 113,5$
			4Pcs / Adet	$BH = SH - 152$

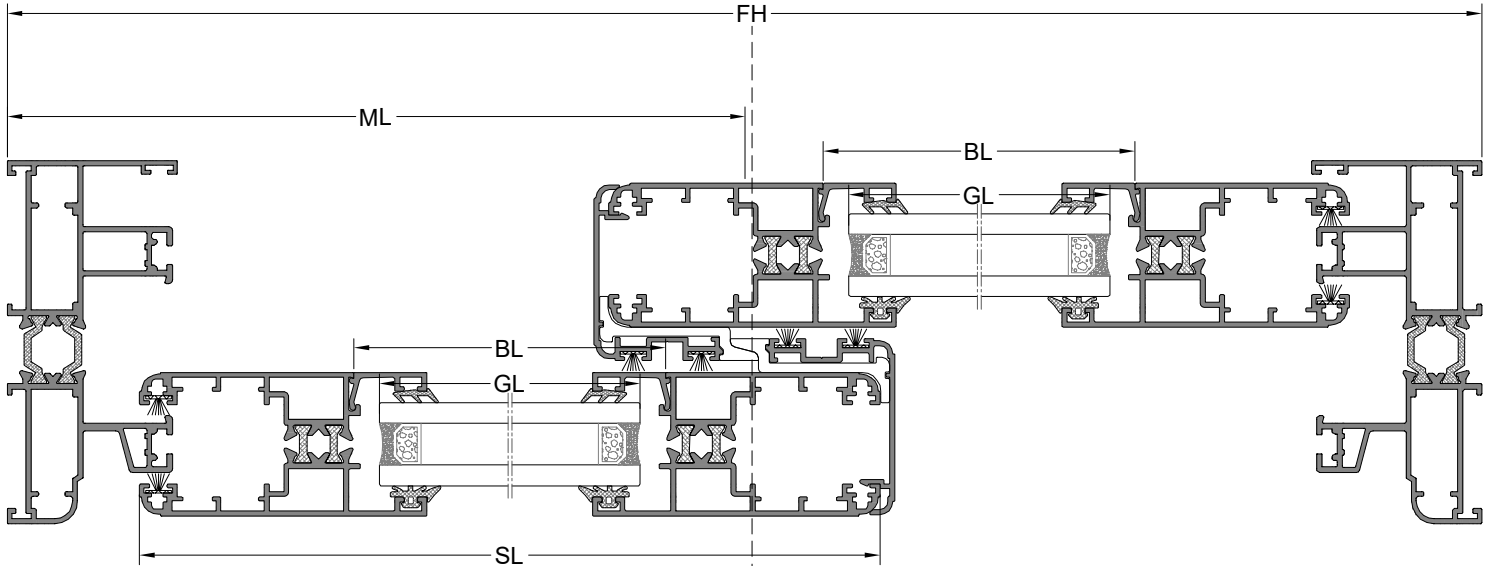
CAM / GLASS

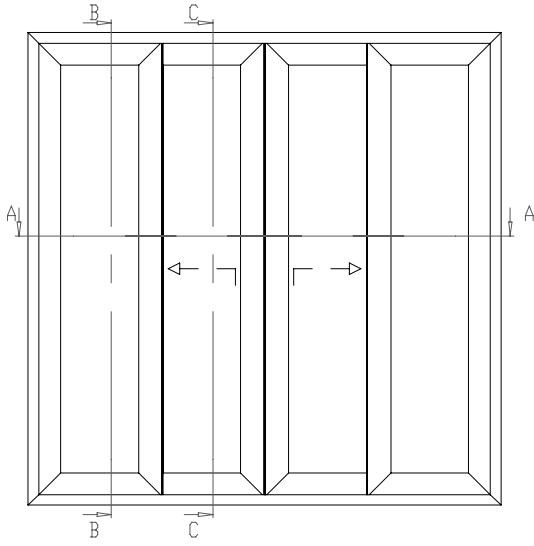
Kod Code	Çizim Drawing	Miktar Quantity	Ölçüler Dimensions
CAM GLASS		2 Pcs / Adet	$GL = SL-127$
			$GH = SH-127$

CAM ÖLÇÜLERİ EŞİT KABUL EDİLEREK
FORMULİZE EDİLMİŞTİR.

GLASS DIMENSIONS ARE
FORMULATED, ACCEPT EQUAL.

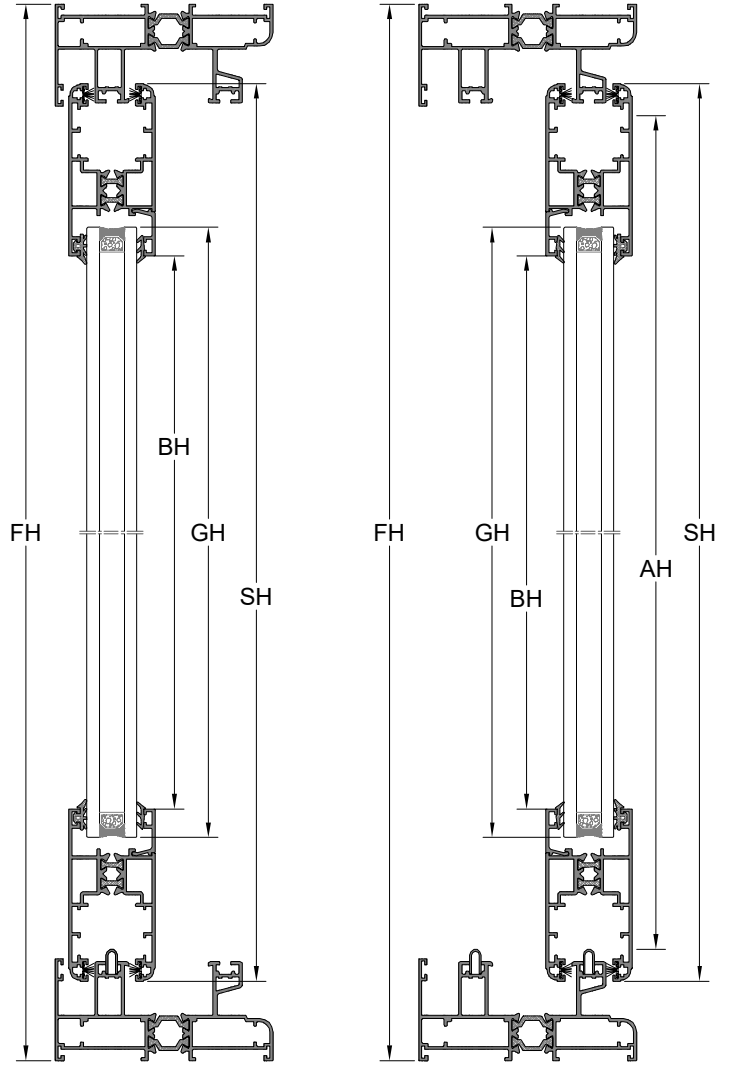
A-A KESİTİ





B-B KESİTİ

C-C KESİTİ



PROFİLLER / PROFILES

Kod Code	Çizim Drawing	Kesim Cut	Miktar Quantity	Ölçüler Dimensions
5846-3581 Kasa Frame			2 Pcs / Adet	FL
			2 Pcs / Adet	FH
3585-3586 Kanat Sash			8Pcs / Adet	SL = (FL/4)+18
			8Pcs / Adet	SH = FH-71
3585-3586 Adaptör Adapter			1Pcs / Adet	AH = FH-91
3587 Çita Bead			8Pcs / Adet	BL = SL - 113,5
			8Pcs / Adet	BH = SH - 152

CAM / GLASS

Kod Code	Çizim Drawing	Miktar Quantity	Ölçüler Dimensions
CAM GLASS		4 Pcs / Adet	GL = SL-127
			GH = SH-127

CAM ÖLÇÜLERİ EŞİT KABUL EDİLEREK
FORMULİZE EDİLMİŞTİR.

GLASS DIMENSIONS ARE
FORMULATED, ACCEPT EQUAL.

A-A KESİTİ

